



Operating Instructions and Parts Manual 3-Wheel Belt Grinder

Models BGB-142/248/260-1/260-3



Model BGB-248 shown

JET
427 New Sanford Road
LaVergne, Tennessee 37086
Ph.: 800-274-6848
www.jettools.com

Part No. M-577100
Edition 2 12/2016
Copyright © 2016 JET



1.0 IMPORTANT SAFETY INSTRUCTIONS

WARNING – To reduce risk of injury:

1. Read and understand the entire owner's manual before attempting assembly or operation.
2. Read and understand the warnings posted on the machine and in this manual. Failure to comply with all of these warnings may cause serious injury.
3. Replace the warning labels if they become obscured or removed.
4. This belt grinder is designed and intended for use by properly trained and experienced personnel only. If you are not familiar with the proper and safe operation of a belt grinder, do not use until proper training and knowledge have been obtained.
5. Do not use this machine for other than its intended use. If used for other purposes, JET disclaims any real or implied warranty and holds itself harmless from any injury that may result from that use.
6. Always wear ANSI Z87.1 approved safety glasses or face shield while using this machine. (Everyday eyeglasses only have impact resistant lenses; they are not safety glasses.)
7. Before operating this machine, remove tie, rings, watches and other jewelry, and roll sleeves up past the elbows. Do not wear loose clothing. Confine long hair. Non-slip footwear or anti-skid floor strips are recommended.
8. Wear leather safety gloves, arm guards, leather aprons and safety shoes when using a belt grinder.
9. Wear ear protectors (plugs or muffs) if noise exceeds safe levels.
10. **CALIFORNIA PROPOSITION 65 WARNING:** This product contains chemicals known to the State of California to cause cancer, or birth defects or other reproductive harm.
11. This product, when used for welding, cutting, or working with metal, produces fumes, gases, or dusts which contain chemicals known to the State of California to cause birth defects and, in some cases, cancer. (California Health and Safety Code Section 25249.5 et seq.)
12. A dust collection system is recommended. Operator shall also wear a dust mask at all times.
13. Additional precautions may be necessary for grinding materials which are flammable or have other hazardous properties. Always consult the manufacturer of such materials for instructions on grinding and handling.
14. Make certain the switch is in the OFF position before connecting the machine to the power supply.
15. Make certain the machine is properly grounded.
16. Make all machine adjustments or maintenance with the machine unplugged from the power source.
17. Remove adjusting keys and wrenches. Form a habit of checking to see that keys and adjusting wrenches are removed from the machine before turning it on.
18. Keep safety guards in place at all times when the machine is in use. If removed for maintenance purposes, use extreme caution and replace the guards immediately after completion of maintenance.
19. Check damaged parts. Before further use of the machine, a guard or other part that is damaged should be carefully checked to determine that it will operate properly and perform its intended function. Check for alignment of moving parts, binding of moving parts, breakage of parts, mounting and any other conditions that may affect its operation. A guard or other part that is damaged should be properly repaired or replaced.
20. Provide for adequate space surrounding work area and non-glare, overhead lighting.
21. Keep the floor around the machine clean and free of scrap material, oil and grease.
22. Keep visitors a safe distance from the work area. Keep children away.
23. Make your workshop child proof with padlocks, master switches or by removing starter keys.
24. Give your work undivided attention. Looking around, carrying on a conversation and "horse-play" are careless acts that can result in serious injury.
25. Maintain a balanced stance at all times so that you do not fall into the belt or other moving parts. Do not overreach or use excessive force to perform any machine operation.
26. Use the right tool at the correct speed and feed rate. Do not force a tool or attachment to do a job for which it was not designed. The right tool will do the job better and more safely.

27. Use recommended accessories; improper accessories may be hazardous.
28. Maintain tools with care. Keep tools sharp and clean for the best and safest performance. Follow instructions for lubricating and changing accessories.
29. Turn off the machine before cleaning. Use a brush or compressed air to remove chips or debris — do not use your hands.
30. Do not stand on the machine. Serious injury could occur if the machine tips over.
31. Never leave the machine running unattended. Turn the power off and do not leave the machine until it comes to a complete stop.
32. Remove loose items and unnecessary work pieces from the area before starting the machine.
33. Don't use in dangerous environment. Don't use power tools in damp or wet location, or expose them to rain. Keep work area well lighted.
34. Use proper extension cord. Make sure your extension cord is in good condition. When using an extension cord, be sure to use one heavy enough to carry the current your product will draw. An undersized cord will cause a drop in line voltage resulting in loss of power and overheating. Table 6-1 (sect. 6.3) shows the recommended size to use depending on cord length. If in doubt, use the next heavier gage. The smaller the gage number, the heavier the cord.

Familiarize yourself with the following safety notices used in this manual:

CAUTION This means that if precautions are not heeded, it may result in minor injury and/or possible machine damage.

WARNING This means that if precautions are not heeded, it may result in serious, or possibly even fatal, injury.

2.0 Table of contents


Section	Page
1.0 IMPORTANT SAFETY INSTRUCTIONS	2
2.0 Table of contents.....	4
3.0 About this manual	5
4.0 Specifications for BGB-series Belt Grinders	6
4.1 Base mounting pattern	7
5.0 Setup and assembly.....	8
5.1 Shipping contents.....	8
5.2 Unpacking and installing	8
5.3 Dust collection	8
6.0 Electrical connections	8
6.1 GROUNDING INSTRUCTIONS	8
6.2 Voltage conversion.....	9
6.3 Extension cords.....	9
7.0 Adjustments	10
7.1 Work rest adjustment	10
7.2 Platen adjustment.....	10
7.3 Abrasive belt tension	10
7.4 Abrasive belt tracking.....	10
7.5 V-belt tension	11
8.0 Operation	11
8.1 Operating controls	11
8.2 General operating tips	11
9.0 User-maintenance	11
9.1 General cleaning	11
9.2 Lubrication.....	11
9.3 Abrasive belt replacement.....	11
9.4 Contact wheel replacement.....	11
9.5 V-belt replacement	12
9.6 Additional servicing	12
10.0 Optional accessories.....	12
11.0 Troubleshooting BGB-series Belt Grinders	12
12.0 Replacement Parts.....	13
12.1.1 Motor and Base Assembly – Exploded View - Models BGB-142/248/260-1	13
12.1.2 Motor and Base Assembly – Parts List – Model BGB-142.....	14
12.1.3 Motor and Base Assembly – Parts List – Model BGB-248.....	15
12.1.4 Motor and Base Assembly – Parts List – Model BGB-260-1.....	16
12.2.1 Motor and Base Assembly – Exploded View – Model BGB-260-3.....	17
12.2.2 Motor and Base Assembly – Parts List – Model BGB-260-3.....	18
12.3.1 Belt and Housing Assembly – Exploded View – Model BGB-142.....	19
12.3.2 Belt and Housing Assembly – Parts List – Model BGB-142.....	20
12.4.1 Belt and Housing Assembly – Exploded View – Models BGB-248/260-1/260-3.....	22
12.4.2 Belt and Housing Assembly – Parts List – Model BGB-248.....	23
12.4.3 Belt and Housing Assembly – Parts List – Model BGB-260-1.....	25
12.4.4 Belt and Housing Assembly – Parts List – Model BGB-260-3.....	27
12.5.1 Adaptor Plate (OPTIONAL) – Exploded View – Model BGB-142/248.....	29
12.5.2 Adaptor Plate (OPTIONAL) – Parts List – Model BGB-142/248	29
12.6.1 Adaptor Plate (OPTIONAL) – Exploded View – Model BGB-260-1/260-3	30
12.6.2 Adaptor Plate (OPTIONAL) – Parts List – Model BGB-260-1/260-3	30
13.0 Electrical Connections.....	31
13.1 Wiring diagram – 115V (Models BGB-141/248/260-1).....	31
13.2 Wiring diagram – 1PH, 230V (Models BGB-141/248/260-1).....	32
13.3 Wiring diagram – 3PH, 230V (Model BGB-260-3).....	33
13.4 Wiring diagram – 3PH, 460V (Model BGB-260-3).....	34
14.0 Warranty and service	35

3.0 About this manual

This manual is provided by JET, covering the safe operation and maintenance procedures for a JET Model BGB-series Benchtop Belt Grinder. This manual contains instructions on installation, safety precautions, general operating procedures, maintenance instructions and parts breakdown. Your machine has been designed and constructed to provide consistent, long-term operation if used in accordance with the instructions as set forth in this document.

If there are questions or comments, please contact your local supplier or JET. JET can also be reached at our web site: www.jettools.com.

Retain this manual for future reference. If the machine transfers ownership, the manual should accompany it.

 **WARNING Read and understand the entire contents of this manual before attempting assembly or operation! Failure to comply may cause serious injury!**

Register your product using the mail-in card provided, or register online – <http://www.jettools.com/us/en/service-and-support/warranty/registration/>

4.0 Specifications for BGB-series Belt Grinders

Model number	BGB-142	BGB-248	BGB-260-1	BGB-260-3
Stock number	577100	577125	577150	577153
Motor and Electricals				
Motor type	Totally enclosed fan cooled, induction			
Horsepower	3/4	1	1-1/2	3
Phase	1			3
Voltage	115/230V (prewired 115V)			230/460V ¹ (prewired 230V)
Cycle	60 Hz			
Listed FLA (full load amps)	11.5 / 5.8	12 / 6	14.6 / 7.3	8 / 4
Motor speed (RPM)	3450			
Starting amps	36	48	52	42
Running amps (no load)	8	7.3	7	4
Start capacitor	200MFD 125VAC		400MFD 125VAC	n/a
Run capacitor	n/a	45µF 250VAC	70µF 250VAC	n/a
Power cord	SJT 14AWG x 3C, 6 ft. (1830 mm)			ST 14AWGx4C in terminal box
Power plug installed	125V, 15A			n/a
On/off switch	Toggle with safety key			Momentary, to control magnetic switch
Power transfer	Poly V-belt			
Recommended circuit size ²	20 Amp			
Sound emission without load ³	74 dB at 100cm, 77 dB at 50cm	80 dB at 100cm, 84 dB at 50cm	78 dB at 100cm, 82 dB at 50cm	
Abrasive and wheels				
Abrasive provided	Aluminum oxide, 120-grit			
Abrasive size	1 x 42 in. (25 x 1067mm)	2 x 48 in. (50 x 1219 mm)	2 x 60 in. (50 x 1524 mm)	
Abrasive speed	5500 FPM (1676 MPM)	6000 FPM (1829 MPM)	8000 FPM (2438 MPM)	
Number of wheels	3			
Wheel size	Ø4.75 x 1 in. (120 x 25 mm)	Ø5 x 2 in. (127 x 50 mm)	Ø7 x 2 in. (178 x 50 mm)	
Wheel speed (RPM)	4500	4600	4400	4400
Dust collection				
Dust port outside diameter	2 in. (50.8 mm)			
Recommended dust extraction	400 CFM (0.5 CMM)			
Main materials				
Housing	Aluminum and steel			
Motor shroud	Steel			
Platen	Cast iron			
Table	Cast iron			
Base	Cast iron			
Contact wheel	Aluminum, rubber coated (65 Duro)			
Driven wheels	Aluminum, PU coated			
Dimensions				
Work rest (LxW)	2-1/4 x 4-1/2 in. (57 x 115 mm)			
Base (LxW)	13-1/2 x 15-3/64 in. (343 x382mm)		13-1/2 x 17 in. (343 x 432 mm)	

	BGB-142	BGB-248	BGB-260-1	BGB-260-3
Dimensions (cont.)				
Overall dimensions (HxWxD)	20-5/16 x 15-5/8 x 20-17/3 in. (516 x 397 x 521 mm)	22-11/32 x 19 x 20-5/8 in. (567 x 482 x 524 mm)	26-11/16 x 21 x 23-3/32 in. (678 x 533 x 587 mm)	
Shipping dimensions (HxWxD)	24-13/16 x 22-7/16 x 24-13/32 in. (630 x 570 x 620 mm)		29-1/8 x 25-19/32 x 28-3/4 in. (740 x 650 x 730 mm)	
Weights				
Net weight (approx.)	105 lb. (48 kg)	114 lb. (52 kg)	137 lb. (62 kg)	145 lb. (66 kg)
Shipping weight (approx.)	124 lb. (56 kg)	132 lb. (60 kg)	161 lb. (72.8 kg)	168 lb. (76 kg)

Table 4-1

¹ Conversion to 460-volt requires purchase and installation of 460V magnetic contactor (not provided). See parts list.

² Subject to local and national electrical codes.

³ The specified values are emission levels and are not necessarily to be seen as safe operating levels. As workplace conditions vary, this information is intended to allow the user to make a better estimation of the hazards and risks involved only.

L = length, W = width, H = height, D = depth

n/a = not applicable

The specifications in this manual were current at time of publication, but because of our policy of continuous improvement, JET reserves the right to change specifications at any time and without prior notice, without incurring obligations.

4.1 Base mounting pattern

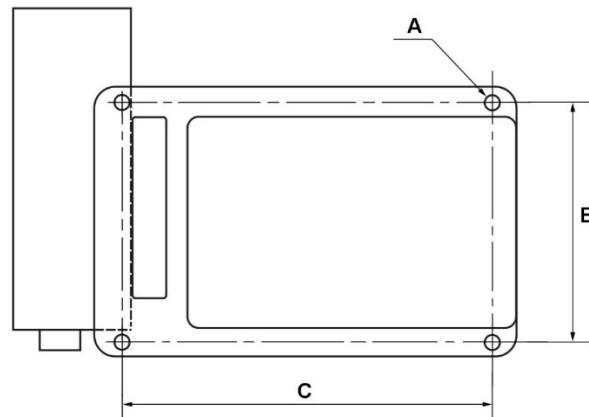


Figure 4-1

	A	B	C
BGB-142	Ø 7/16 in. (11mm)	12-19/32 in. (320mm)	13-3/8 in. (340mm)
BGB-248	Ø 7/16 in. (11mm)	12-19/32 in. (320mm)	13-3/8 in. (340mm)
BGB-260-1	Ø 7/16 in. (11mm)	12-19/32 in. (320mm)	14-31/32 in. (380mm)
BGB-260-3	Ø 7/16 in. (11mm)	12-19/32 in. (320mm)	14-31/32 in. (380mm)

Table 4-2

⚠WARNING Read and understand all assembly instructions before attempting assembly and setup. Failure to comply may cause serious injury.

5.0 Setup and assembly

5.1 Shipping contents

- 1 Belt Grinder with mounted abrasive
- 1 Operating instructions and parts manual
- 1 Product registration card

5.2 Unpacking and installing

The Grinder does not require assembly, only mounting to a support, such as bench or table.

Inspect contents for shipping damage. Report damage, if any, to your distributor. Do not discard shipping materials until grinder is installed and running properly.

Lift grinder out of carton along with plywood platform. Remove platform and place grinder on a sturdy table or workbench. Secure to workbench with fasteners through the four holes in base. See sect. 4.1 for hole spacings.

An optional adaptor plate (not included) is available for mounting the grinder to the JET JDCS-505 Dust Collection Stand. See your dealer or visit our website for ordering information.

IMPORTANT: The abrasive belt has been de-tensioned for shipping. Belt must be properly tensioned before operating grinder. See sect. 7.3.

5.3 Dust collection

It is recommended that a dust collection system be used with this machine. Connect dust hose (not provided) to the 2-inch port at back of grinder and secure with clamp.

6.0 Electrical connections

⚠WARNING Electrical connections must be made by a qualified electrician in compliance with all relevant codes. This machine must be properly grounded to help prevent electrical shock and possible fatal injury.

Before connecting to power source, be sure switch is in off position.

It is recommended that the Belt Grinder be connected to a dedicated 20 amp circuit with circuit breaker or time-delay fuse marked "D". **Local codes take precedence over recommendations.**

6.1 GROUNDING INSTRUCTIONS

1. All Grounded, Cord-connected Tools:

In the event of a malfunction or breakdown, grounding provides a path of least resistance for electric current to reduce the risk of electric shock. This tool is equipped with an electric cord having an equipment-grounding conductor and a grounding plug. The plug must be plugged into a matching outlet that is properly installed and grounded in accordance with all local codes and ordinances.

Do not modify the plug provided - if it will not fit the outlet, have the proper outlet installed by a qualified electrician.

Improper connection of the equipment-grounding conductor can result in a risk of electric shock. The conductor with insulation having an outer surface that is green with or without yellow stripes is the equipment-grounding conductor. If repair or replacement of the electric cord or plug is necessary, do not connect the equipment-grounding conductor to a live terminal.

⚠WARNING Check with a qualified electrician or service personnel if the grounding instructions are not completely understood, or if in doubt as to whether the tool is properly grounded. Failure to comply may cause serious or fatal injury.

Use only 3-wire extension cords that have 3-prong grounding plugs and 3-pole receptacles that accept the tool's plug.

Repair or replace damaged or worn cord immediately.

2. Grounded, cord-connected tools intended for use on a supply circuit having a nominal rating **less than 150 volts:**

This tool is intended for use on a circuit that has an outlet that looks like the one illustrated in **A**, Figure 6-1. An adapter, shown in **B** and **C**, may be used to connect this plug to a 2-pole receptacle as shown in **B** if a properly grounded outlet is not available. The temporary adapter should be used only until a properly grounded outlet can be installed by a qualified electrician. *This adapter is not permitted in Canada.* The green-colored rigid ear, lug, and the like, extending from the adapter must be connected to a permanent ground such as a properly grounded outlet box.

3. Grounded, cord-connected tools intended for use on a supply circuit having a nominal rating **between 150 - 250 volts, inclusive:**

This tool is intended for use on a circuit that has an outlet that looks like the one illustrated in **D**, Figure 6-1. The tool has a grounding plug that looks like the plug illustrated in **D**. Make sure the tool is connected to an outlet having the same configuration as the plug. No adapter is available or should be used with this tool.

If the tool must be reconnected for use on a different type of electric circuit, the reconnection should be made by qualified service personnel; and after reconnection, the tool should comply with all local codes and ordinances.

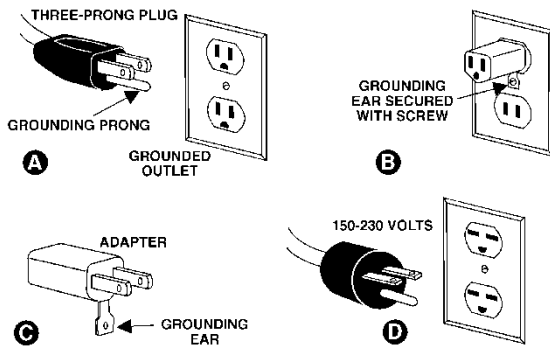


Figure 6-1

6.2 Voltage conversion

For models BGB-142, BGB-248, BGB-260-1:

1. Remove four screws from control panel, and remove panel from motor shroud. Switch incoming motor leads according to wiring diagram.
2. Reinstall control panel on motor shroud.
3. Replace plug on end of motor cord with proper UL/CSA listed plug rated for the new incoming voltage.
4. Test run the grinder. If abrasive belt moves upward instead of downward, disconnect machine from power and switch any two of the three power leads (not the green ground wire).

For model BGB-260-3:

1. Remove four screws from motor shroud and remove shroud.
2. Open motor junction box and switch incoming power leads according to wiring diagram on inside cover of junction box. Diagrams are also placed at back of this manual. (In case of discrepancy, diagrams on machine take precedence.)

3. Replace magnetic starter with 460V starter; see parts list to order.
4. Re-install junction box cover and motor shroud.
5. Test run the grinder. If abrasive belt moves upward instead of downward, disconnect machine from power and switch any two of the three power leads (not the green ground wire).

6.3 Extension cords

The use of extension cords is discouraged; try to position equipment within reach of the power source. For circuits which are far away from the electrical service box, the wire size must be increased in order to deliver ample voltage to the motor. To minimize power losses and to prevent motor overheating and burnout, the use of wire sizes for branch circuits or electrical extension cords according to Table 1 is recommended. If in doubt, use the next heavier gauge. The smaller the gauge number, the heavier the cord.

Conductor length	AWG # (American Wire Gauge)	
	240 Volt lines	120 Volt lines
0 – 50 ft.	14	14
50 – 100 ft.	14	12
Over 100 ft.	14	8

Extension Cord Recommendations
Table 6-1

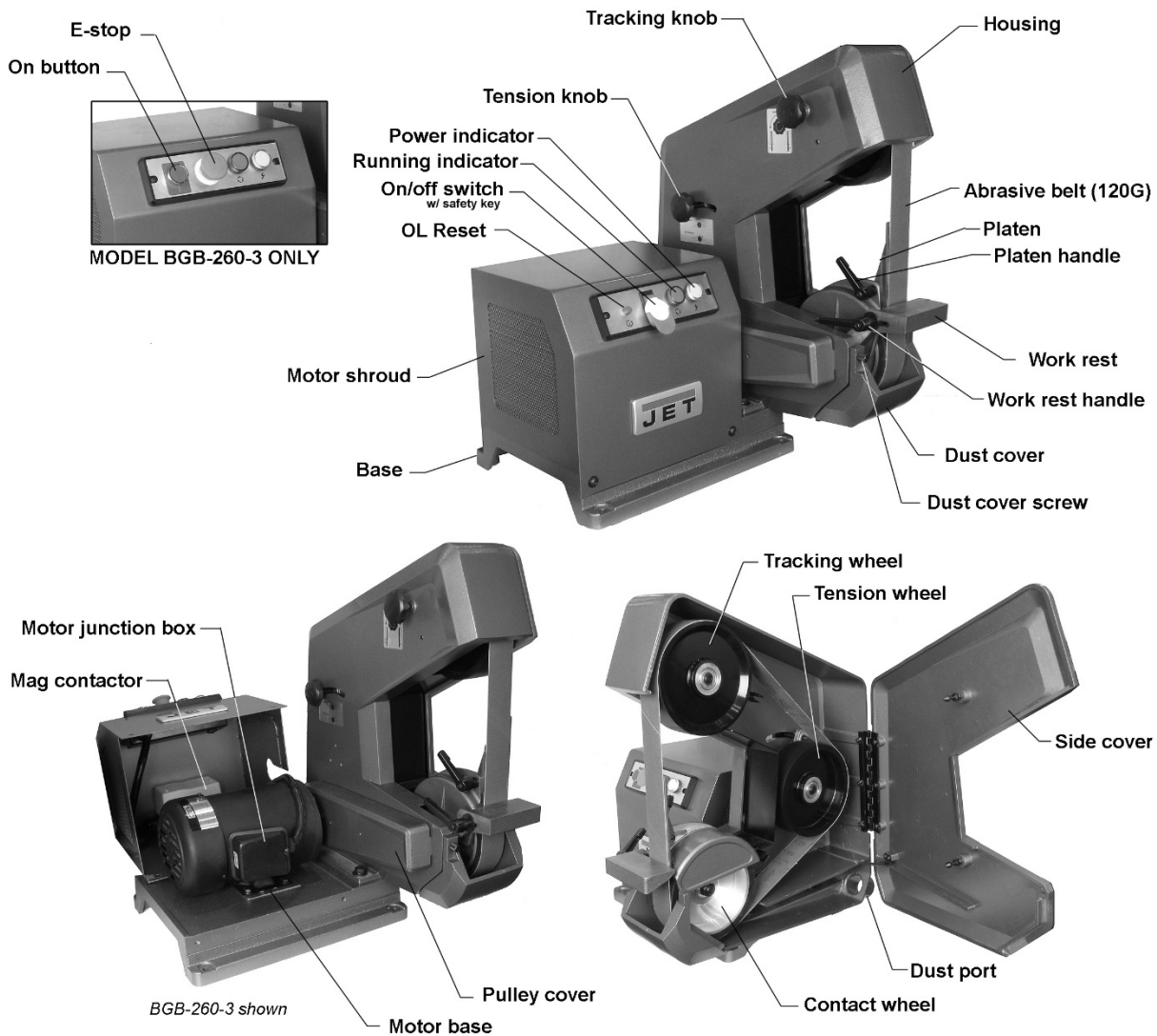


Figure 7-1: Belt Grinder identification

7.0 Adjustments

⚠WARNING Disconnect machine from power source before making adjustments.

Refer to Figure 7-1.

7.1 Work rest adjustment

Loosen work rest handle and adjust work rest to desired angle. Minimize gap between edge of work rest and abrasive belt; 1/16-inch or less.

Tighten work rest handle before operating.

Note: Handles are adjustable; pull handle straight out and rotate it on the pin, then release. Make sure handle reseats itself on the pin.

7.2 Platen adjustment

Loosen platen handle and adjust platen so it is parallel to back of abrasive belt and almost touching.

7.3 Abrasive belt tension

To de-tension abrasive belt, turn tension knob counterclockwise and pull knob to the right.

To tension, push knob to the left. The pawl will “click” as it engages each ratchet tooth. Do not overtension; tighten belt until it is just taut. A moderate tension will provide faster cutting and longer belt life, as well as better tracking.

NOTE: When belt grinder is not being used, de-tension the abrasive belt. This will prolong the life of the belt, and reduce load on wheels, bearings and other components.

7.4 Abrasive belt tracking

The abrasive belt should remain centered upon the wheels during operation. If it tends to slide off-center, adjust as follows:

1. Disconnect machine from power source and pull open side cover.

2. Rotate tracking knob left or right as you turn tracking wheel with your other hand. Do this in small increments and allow time for belt to respond to changes. Clockwise knob rotation moves belt toward left, counterclockwise toward right.
3. If belt refuses to track properly, increase belt tension and repeat above steps.

7.5 V-belt tension

1. Disconnect machine from power source.
2. Remove four button head screws and open motor shroud.
3. Remove two screws from pulley cover (access through housing) and remove pulley cover.
4. Loosen screws on motor mount and slide motor backward to tension belt.
5. Tighten motor mount screws, reinstall pulley cover and shroud.

8.0 Operation

8.1 Operating controls

Refer to Figure 7-1.

Power indicator light – Illuminates when machine is connected to power.

Running indicator light – Illuminates when motor is operating.

MODELS BGB-142/248/260-1 only:

On/off switch with safety key – Pull up to start motor, push down to stop.

IMPORTANT: To prevent accidental or unauthorized starting of grinder, shut off machine and pull out key (yellow portion) of switch and store in safe place. This key must be reinserted to start machine.

Overload reset – If motor overheats, allow machine a few minutes to cool down, then push button to reset.

MODELS BGB-260-3 only:

On button – Push to start motor.

Emergency stop – Push to stop motor. To restart, rotate button clockwise until it disengages.

Overload reset – (Inside magnetic starter box.) If motor overheats, allow machine a few minutes to cool down, then the overload relay will automatically reset.

8.2 General operating tips

1. Always use platen when grinding workpiece.
2. Adjust gap between work rest and belt to 1/16-inch or less.

3. Handles must be tight and covers closed before operating.
4. Some metals may create a fire hazard during grinding; consult workpiece supplier for instructions on proper use and cautions.
5. Allow machine to come up to speed before applying workpiece.
6. Place workpiece upon work rest, and apply only moderate pressure into abrasive belt; do not apply excessive pressure.

9.0 User-maintenance

⚠WARNING Always disconnect power to machine before performing maintenance. Failure to do this may result in serious personal injury.

9.1 General cleaning

Keep exterior of machine clean and free of chips. Periodically clean out interior of housing with vacuum or brush – do not use bare hands. Periodically empty grinding dust and particles from the dust collection system (not provided).

9.2 Lubrication

Lubrication of the grinder is not required. Bearings are pre-lubricated and sealed.

9.3 Abrasive belt replacement

1. Disconnect machine from power source.
2. Open side cover, and open dust cover by unscrewing dust cover screw.
3. De-tension and slip belt off wheels.
4. Install new belt around wheels, tension, and test tracking. Make further adjustments as needed.
5. Close all covers before operating.

9.4 Contact wheel replacement

1. Disconnect machine from power source.
2. Open side cover and dust cover, and remove abrasive belt.
3. Loosen and remove hex nut and flange washer, and slide contact wheel off spindle.
4. Install new wheel. Reinstall flange washer and hex nut and tighten.
5. Install abrasive belt, tension, and check tracking.
6. Close all covers before operating.

9.5 V-belt replacement

Disconnect machine from power source. Follow steps in *sect. 7.4* to access pulleys and belt. Slide motor forward to loosen belt and slip belt off pulleys. Install new belt and slide motor back to tension it. Secure all covers and screws.

9.6 Additional servicing

Any additional servicing should be performed by authorized service personnel.

10.0 Optional accessories

The following adaptor plates are available for mounting your grinder to the JDCS-505 JET Dust Collection Stand. Contact your dealer to order, or call JET at the phone number on the cover.

414832 – Adaptor Plate Kit (for BGB-142/248)

414833 – Adaptor Plate Kit (for BGB-260-1/260-3)

11.0 Troubleshooting BGB-series Belt Grinders

Symptom	Possible Cause	Correction*
Motor will not start	Low voltage.	Check power line for proper voltage.
	Open circuit in motor or loose connection.	Inspect all lead connections on motor for loose or open connections.
Motor will not start: fuses or circuit breakers blow	Short circuit in line cord or plug.	Inspect cord or plug for damaged insulation and shorted wires.
	Short circuit in motor or loose connections.	Inspect all connections on motor for loose or shorted terminals or worn insulation.
	Incorrect fuses or circuit breakers in power line.	Install correct fuses or circuit breakers.
Machine slows when operating	Applying excessive pressure of workpiece against platen.	Reduce pressure against abrasive/platen.
	V-belt loose.	Tighten V-belt.
Loud, repetitive noise coming from machine	Pulley setscrews or keys are missing or loose.	Inspect keys and setscrews. Replace or tighten if necessary.
	Motor fan is hitting the fan cover.	Tighten fan or shim cover.
	V-belt is defective.	Replace V-belt.
Poor tracking	Improper abrasive belt splice.	Check belt for irregular seam or shape.
	Excessive belt tension.	Set tension so belt is just taut.
	Insufficient belt tension.	Set tension so belt is just taut.
	Worn contact surfaces.	Check surface of contact wheels. Replace worn wheels.
	Misaligned contact surfaces.	Check alignment of tracking wheels and contact wheel. Realign if needed.
	Lack of crown on drive wheel.	Check for 1/16-inch crown. Replace drive wheel if crown is not present.
	Worn bearings.	Check all bearings for overheating or damage. Replace worn or damaged bearings.
Slack abrasive belt	Insufficient belt tension.	Set tension so belt is just taut.
Contact wheel wear	Excessive belt tension.	Set tension so belt is just taut.
	Grinding in one area on belt.	Use entire work surface of belt whenever possible.
	Excessive grinding deposits on belt and debris in machine.	Periodically clean interior of grinder.
Short abrasive belt life.	Excessive grinding pressure.	Allow belt to do the cutting. Excessive pressure dulls belt and removes grit from it.

***Warning:** Some corrections may require a qualified electrician.

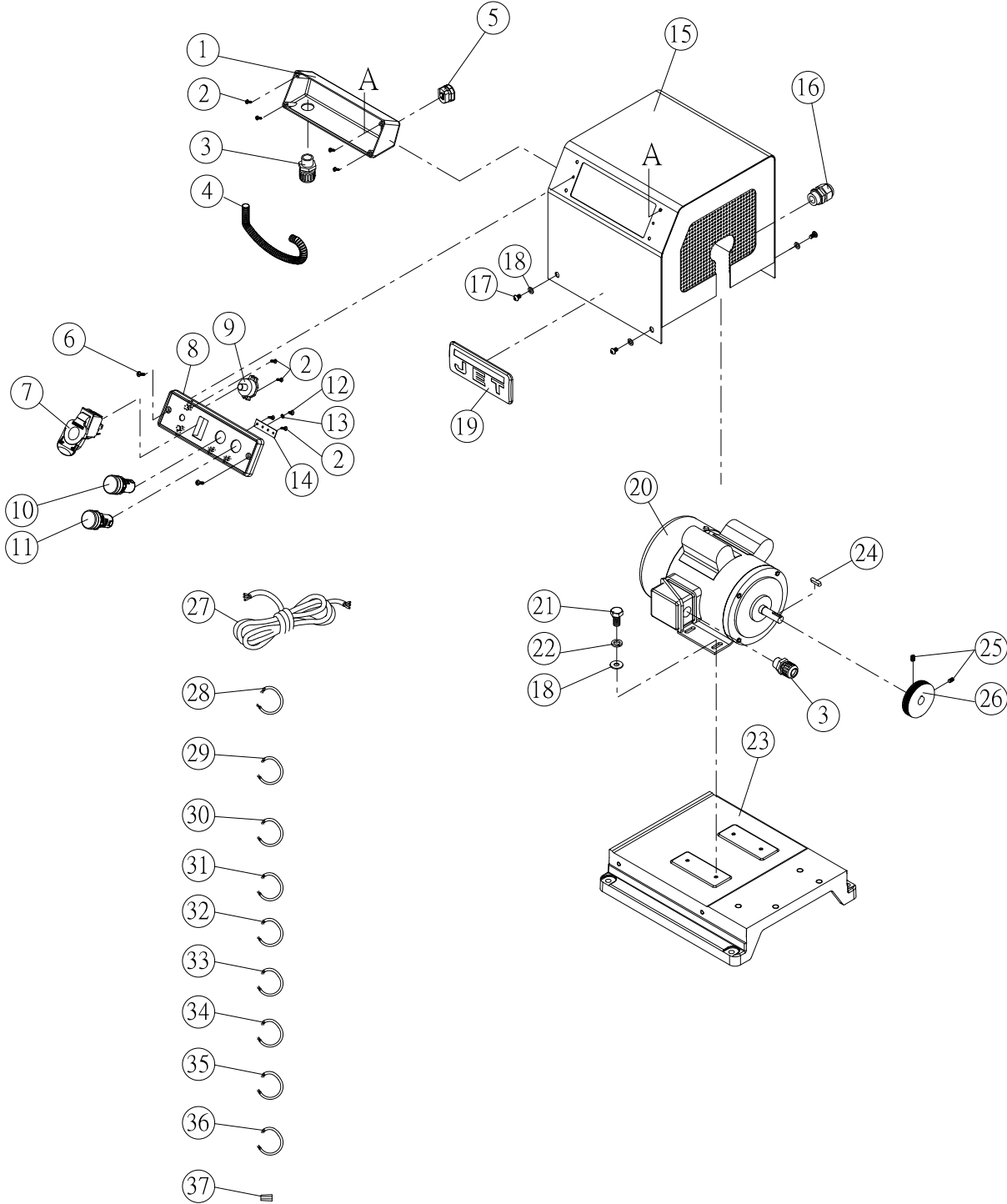
Table 11-1

12.0 Replacement Parts

Replacement parts are listed on the following pages. To order parts or reach our service department, call 1-800-274-6848 Monday through Friday, 8:00 a.m. to 5:00 p.m. CST. Having the Model Number and Serial Number of your machine available when you call will allow us to serve you quickly and accurately.

Non-proprietary parts, such as fasteners, can be found at local hardware stores, or may be ordered from JET. Some parts are shown for reference only, and may not be available individually.

12.1.1 Motor and Base Assembly – Exploded View - Models BGB-142/248/260-1



12.1.2 Motor and Base Assembly – Parts List – Model BGB-142

Index No	Part No	Description	Size	Qty
1	BGB248-101	Switch Box		1
2	6295815	Phillips Round Hd Tapping Screw	M3 x 10L	8
3	BGB248-103	Strain Relief		1
4	BGB248-104	Cable Protection Pipe		1
5	BGB248-105	Strain Relief		1
6	F009887	Socket Head Button Screw	M5 x 0.8P x 16L	2
7	JSG96-135	Switch		1
	JSG96-135A	Switch Key (not shown)		1
8	BGB248-108	Control Panel (includes LM000254 label)		1
9	BGB248-109	Overload Protector		1
10	BGB248-110	Running Indication Light		1
11	BGB248-111	Power Indication Light		1
12	F000648	Phillips Pan Hd Machine Screw	#10-24UNC x 1/4"L	2
13	F002097	Lock Washer, Ext. Tooth	M5	2
14	BGB248-114	Copper Ground Plate		1
15	BGB248-115	Motor Shroud		1
16	BGB248-116	Strain Relief		1
17	TS-2248122	Socket Head Button Screw	M8 x 1.25 x 12L	4
18	TS-1550061	Flat Washer	8.5 x 20 x 1.5T	8
19	JET-138	JET Logo	138 x 57mm	1
20	BGB142-120	Motor	3/4HP, 115/230V, 1PH	1
	BGB248-120SC	Starting Capacitor (not shown)	200MFD 125VAC	1
	BGB248-120SCC	Starting Capacitor Cover (not shown)		1
	BGB248-120CF	Cooling Fan (not shown)		1
	BGB248-120FC	Fan Cover (not shown)		1
21	TS-2228161	Hex Cap Screw	M8 x 1.25P x 16L	4
22	TS-2361081	Lock Washer	M8	4
23	BGB142-123	Base		1
24	6296048	Key, Double Rd Head	5 x 5 x 25L mm	1
25	TS-1522021	Socket Head Set Screw	M5-0.8 x 8L	2
26	BGB142-126	Motor Pulley		1
27	BGB248-127	Power Cable		1
28	BGB248-128	Internal Cable	14AWG, 20cm, Black	2
29	BGB248-129	Internal Cable	14AWG, 20cm, White	2
30	BGB248-130	Internal Cable	14AWG, 50cm, Black	4
31	BGB248-131	Internal Cable	14AWG, 60cm, Green	1
32	BGB248-132	Internal Cable	14AWG, 10cm, Red	2
33	BGB248-133	Internal Cable	14AWG, 10cm, White	1
34	BGB248-134	Internal Cable	18AWG, 15cm, White	1
35	BGB248-135	Internal Cable	14AWG, 12cm, Black	1
36	BGB248-136	Internal Cable	18AWG, 10cm, Red	1
37	BGB248-137	Wire Nut		5

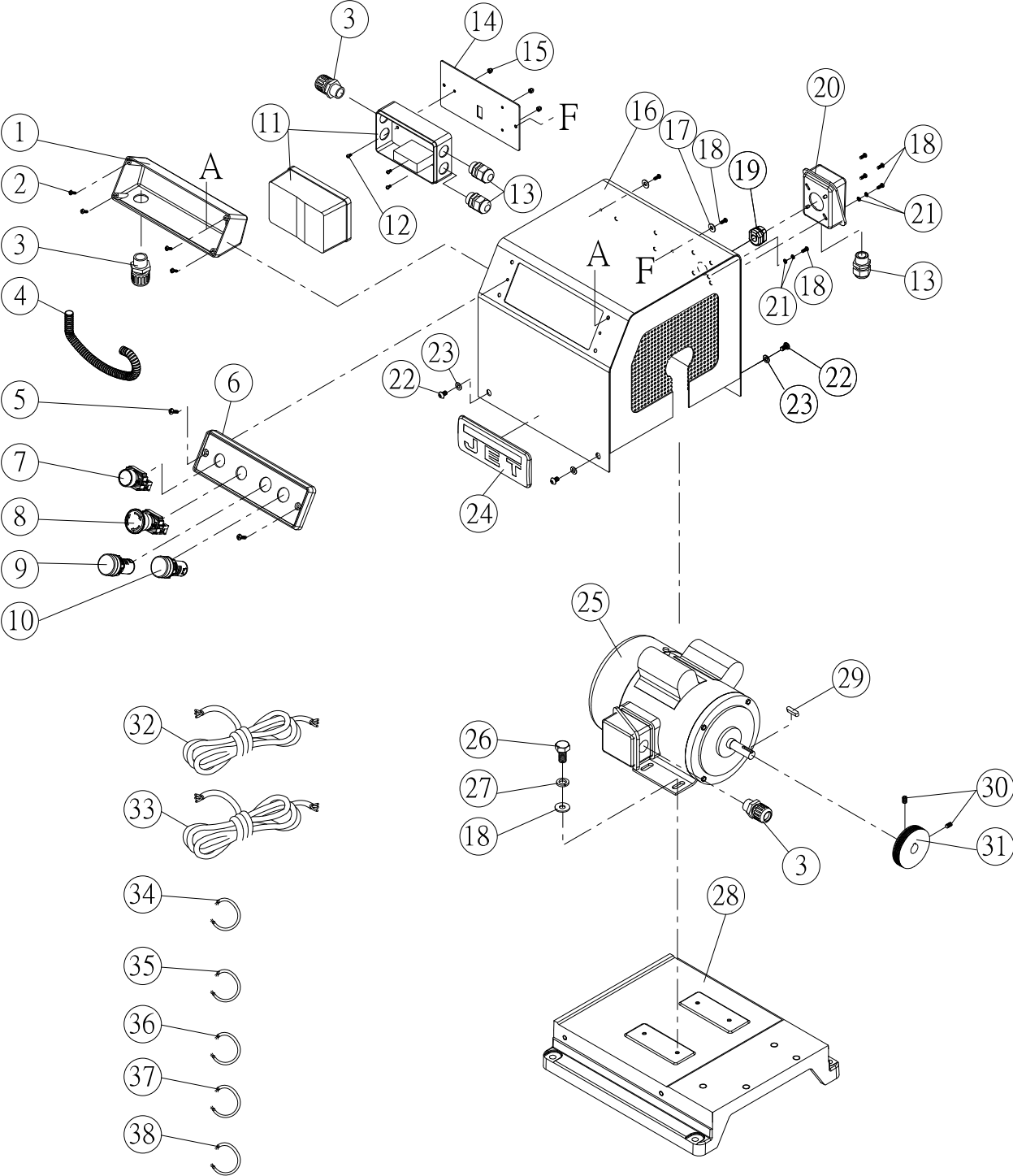
12.1.3 Motor and Base Assembly – Parts List – Model BGB-248

Index No	Part No	Description	Size	Qty
1	BGB248-101	Switch Box		1
2	6295815	Phillips Round Hd Tapping Screw	M3 x 10L	8
3	BGB248-103	Strain Relief		1
4	BGB248-104	Cable Protection Pipe		1
5	BGB248-105	Strain Relief		1
6	F009887	Socket Head Button Screw	M5 x 0.8P x 16L	2
7	JSG96-135	Switch		1
	JSG96-135A	Switch Key (not shown)		1
8	BGB248-108	Control Panel (includes LM000254 label)		1
9	BGB248-109	Overload Protector		1
10	BGB248-110	Running Indication Light		1
11	BGB248-111	Power Indication Light		1
12	F000648	Phillips Pan Hd Machine Screw	#10-24UNC x 1/4"L	2
13	F002097	Lock Washer, Ext. Tooth	M5	2
14	BGB248-114	Copper Ground Plate		1
15	BGB248-115	Motor Shroud		1
16	BGB248-116	Strain Relief		1
17	TS-2248122	Socket Head Button Screw	M8 x 1.25 x 12L	4
18	TS-1550061	Flat Washer	8.5 x 20 x 1.5T	8
19	JET-138	JET Logo	138 x 57mm	1
20	BGB248-120	Motor	1HP, 115/230V, 1Ph	1
	BGB248-120SC	Starting Capacitor (not shown)	200MFD 125VAC	1
	BGB248-120SCC	Starting Capacitor Cover (not shown)		1
	BGB248-120RC	Running Capacitor (not shown)	45µF 250VAC	1
	BGB248-120RCC	Running Capacitor Cover (not shown)		1
	BGB248-120CF	Cooling Fan (not shown)		1
	BGB248-120FC	Fan Cover (not shown)		1
21	TS-2228161	Hex Cap Screw	M8 x 1.25P x 16L	4
22	TS-2361081	Lock Washer	M8	4
23	BGB248-123	Base		1
24	6296048	Key, Double Rd Head	5 x 5 x 25L mm	1
25	TS-1522021	Socket Head Set Screw	M5-0.8 x 8L	2
26	BGB248-126	Motor Pulley		1
27	BGB248-127	Power Cable		1
28	BGB248-128	Internal Cable	14AWG, 20cm, Black	2
29	BGB248-129	Internal Cable	14AWG, 20cm, White	2
30	BGB248-130	Internal Cable	14AWG, 50cm, Black	4
31	BGB248-131	Internal Cable	14AWG, 60cm, Green	1
32	BGB248-132	Internal Cable	14AWG, 10cm, Red	2
33	BGB248-133	Internal Cable	14AWG, 10cm, White	1
34	BGB248-134	Internal Cable	18AWG, 15cm, White	1
35	BGB248-135	Internal Cable	14AWG, 12cm, Black	1
36	BGB248-136	Internal Cable	18AWG, 10cm, Red	1
37	BGB248-137	Wiring Nut		5

12.1.4 Motor and Base Assembly – Parts List – Model BGB-260-1

Index No	Part No	Description	Size	Qty
1	BGB248-101	Switch Box		1
2	6295815	Phillips Round Hd Tapping Screw	M3 x 10L	8
3	BGB248-103	Strain Relief		1
4	BGB248-104	Cable Protection Pipe		1
5	BGB248-105	Strain Relief		1
6	F009887	Socket Head Button Screw	M5 x 0.8P x 16L	2
7	JSG96-135	Switch		1
	JSG96-135A	Switch Key (not shown)		1
8	BGB248-108	Control Panel (includes LM000254 label)		1
9	BGB260-1-109	Overload Protector		1
10	BGB248-110	Running Indication Light		1
11	BGB248-111	Power Indication Light		1
12	F000648	Phillips Pan Hd Machine Screw	#10-24UNC x 1/4"L	2
13	F002097	Lock Washer, Ext. Tooth	M5	2
14	BGB248-114	Copper Ground Plate		1
15	BGB260-1-115	Motor Shroud		1
16	BGB248-116	Strain Relief		1
17	TS-2248122	Socket Head Button Screw	M8 x 1.25 x 12L	4
18	TS-1550061	Flat Washer	8.5 x 20 x 1.5T	8
19	JET-138	JET Logo	138 x 57mm	1
20	BGB260-1-120	Motor	1-1/2HP,115/230V,1Ph	1
	BGB260-1-120SC	Starting Capacitor (not shown)	450MFD 125VAC	1
	BGB260-1-120SCC	Starting Capacitor Cover (not shown)		1
	BGB248-120RC	Running Capacitor (not shown)	70µF 250VAC	1
	BGB248-120RCC	Running Capacitor Cover (not shown)		1
	BGB248-120CF	Cooling Fan (not shown)		1
	BGB248-120FC	Fan Cover (not shown)		1
21	TS-2228161	Hex Cap Screw	M8 x 1.25P x 16L	4
22	TS-2361081	Lock Washer	M8	4
23	BGB260-1-123	Base		1
24	6296048	Key, Double Rd Head	5 x 5 x 25L mm	1
25	TS-1522021	Socket Head Set Screw	M5-0.8 x 8L	2
26	BGB260-1-126	Motor Pulley		1
27	BGB248-127	Power Cable		1
28	BGB248-128	Internal Cable	14AWG, 20cm, Black	2
29	BGB248-129	Internal Cable	14AWG, 20cm, White	2
30	BGB248-130	Internal Cable	14AWG, 50cm, Black	4
31	BGB248-131	Internal Cable	14AWG, 60cm, Green	1
32	BGB248-132	Internal Cable	14AWG, 10cm, Red	2
33	BGB248-133	Internal Cable	14AWG, 10cm, White	1
34	BGB248-134	Internal Cable	18AWG, 15cm, White	1
35	BGB248-135	Internal Cable	14AWG, 12cm, Black	1
36	BGB248-136	Internal Cable	18AWG, 10cm, Red	1
37	BGB248-137	Wiring Nut		5

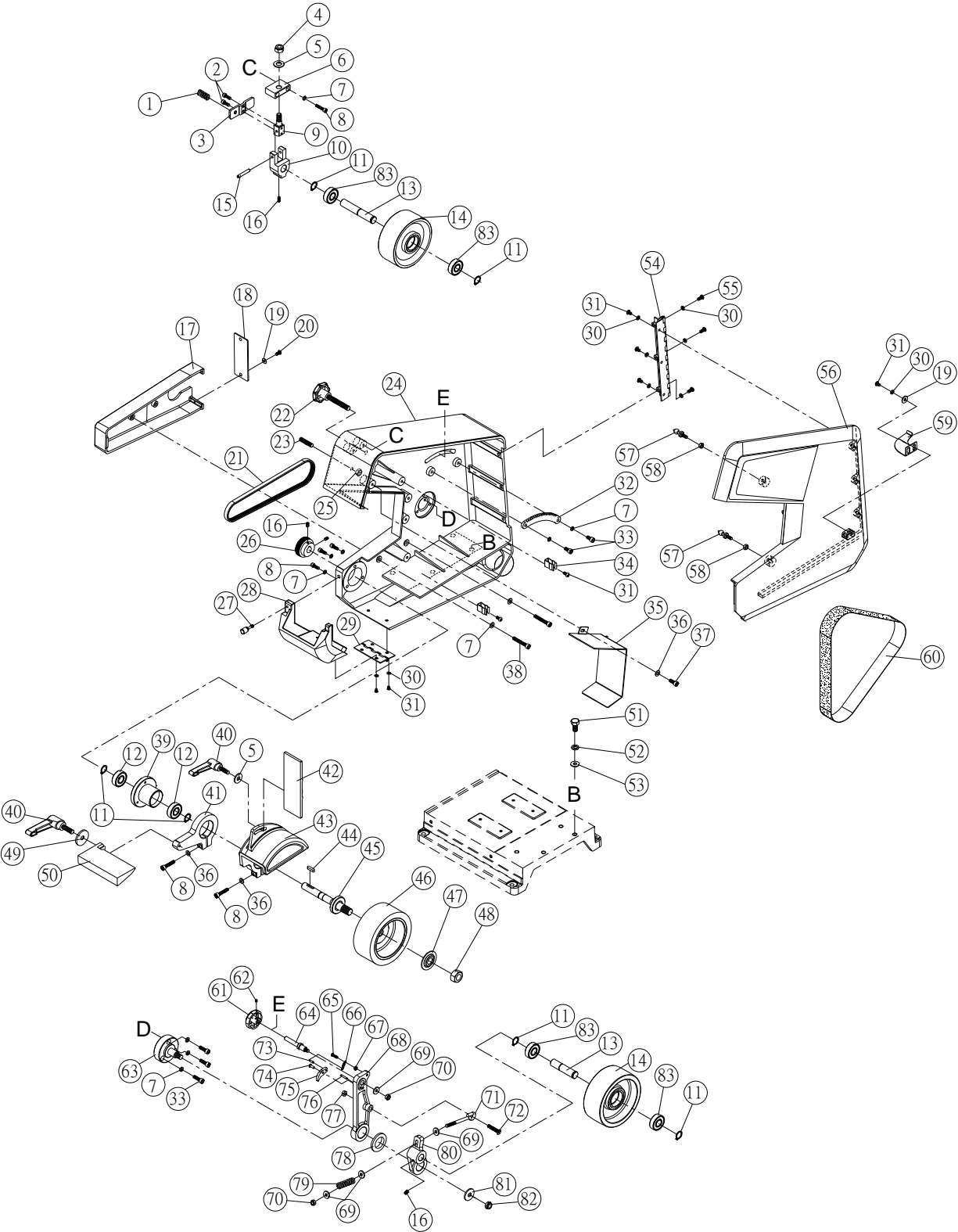
12.2.1 Motor and Base Assembly – Exploded View – Model BGB-260-3



12.2.2 Motor and Base Assembly – Parts List – Model BGB-260-3

Index No	Part No	Description	Size	Qty
1	BGB260-3-101	Switch Box		1
2	6295815	Phillips Round Hd Tapping Screw	M3 x 10L	8
3	BGB248-103	Strain Relief		2
4	BGB248-104	Cable Protection Pipe		1
5	F009887	Socket Head Button Screw	M5 x 0.8P x 16L	2
6	BGB260-3-106	Control Panel (includes LM000261 label)		1
7	BGB260-3-107	ON Switch		1
8	BGB260-3-108	Emergency Stop		1
9	BGB260-3-109	Running Indication Light		1
10	BGB260-3-110	Power Indication Light		1
11	BGB260-3-111	Magnetic Switch Assembly	230V, 3PH	1
	BGB260-3-111C	Contactor		1
	BGB260-3-111O	Overload Relay		1
	BGB260-3-111A	Magnetic Switch Assembly	460V, 3PH	1
	BGB260-3-111AC	Contactor		1
	BGB260-3-111AO	Overload Relay		1
12	TS-2284082	Phillips Pan Hd Machine Screw	M4 x 0.7P x 8L	3
13	BGB260-3-113	Strain Relief		3
14	BGB260-3-114	Switch Plate		1
15	TS-2331041	Cap Nut	M4 x 0.7P	3
16	BGB260-3-116	Motor Shroud		1
17	TS-1550031	Flat Washer	5.1 x 12 x 1T	4
18	TS-1533032	Phillips Pan Hd Machine Screw	M5 x 0.8P x 10L	7
19	BGB260-3-119	Strain Relief		1
20	BGB260-3-120	Terminal Box		1
21	F002097	Lock Washer, Ext. Tooth	M5	4
22	TS-2248122	Socket Head Button Screw	M8 x 1.25 x 12L	5
23	TS-1550061	Flat Washer	8.5 x 20 x 1.5T	10
24	JET-138	JET Logo	138 x 57mm	1
25	BGB260-3-125	Motor	3HP, 230V/460, 3PH	1
	BGB248-120CF	Cooling Fan (not shown)		1
	BGB248-120FC	Fan Cover (not shown)		1
26	TS-2228161	Hex Cap Screw	M8 x 1.25P x 16L	4
27	TS-2361081	Lock Washer	M8	4
28	BGB260-1-123	Base		1
29	6296048	Key, Double Rd Head	5 x 5 x 25L mm	1
30	TS-1522021	Socket Head Set Screw	M5 x 0.8P x 8L	2
31	BGB260-1-126	Pulley		1
32	BGB260-3-132	Power Cable		1
33	BGB260-3-133	Motor Cable		1
34	BGB260-3-134	Internal Cable Set	18AWG, 80cm, 3C	1
35	BGB260-3-135	Internal Cable Set	18AWG, 80cm, 2C	1
36	BGB248-136	Internal Cable	18AWG, 10cm, Red	1
37	BGB260-3-137	Internal Cable	18AWG, 20cm, Black	1
38	BGB260-3-138	Internal Cable	18AWG, 5cm, Black	1

12.3.1 Belt and Housing Assembly – Exploded View – Model BGB-142

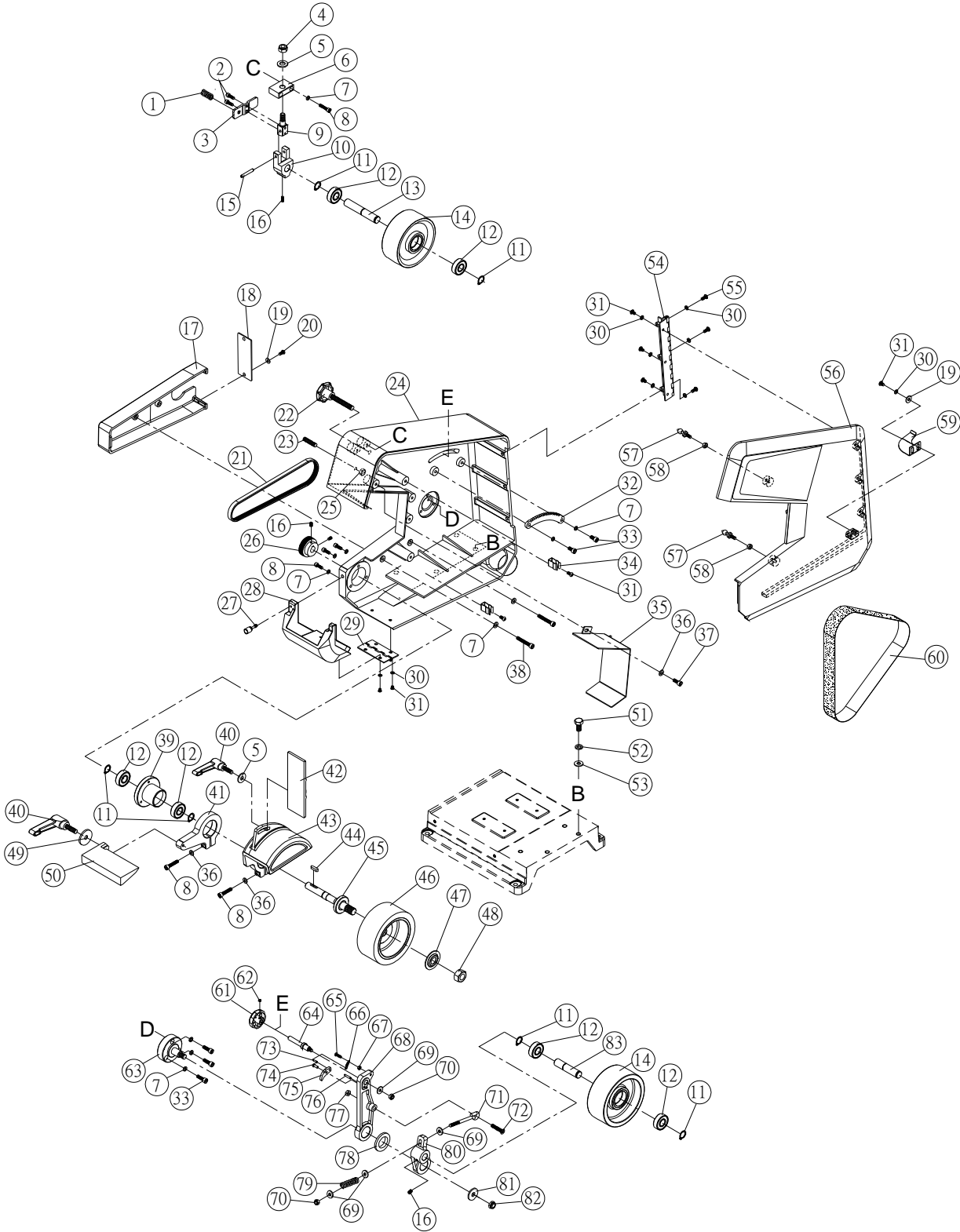


12.3.2 Belt and Housing Assembly – Parts List – Model BGB-142

Index No	Part No	Description	Size	Qty
1	BGB248-201	Compression Spring		1
2	TS-1502031	Socket Head Cap Screw	M5-0.8P x 12L	2
3	BGB248-203	Supporting Plate		1
4	TS-1541031	Hex Nut, Nylon Lock	M8-1.25P	1
5	TS-1550061	Flat Washer	8.5 x 19 x 2T	2
6	BGB248-206	Fixed Bracket		1
7	TS-2361061	Lock Washer	M6	12
8	TS-1503061	Socket Head Cap Screw	M6-0.8P x 25L	7
9	BGB248-209	Pivoting Shaft		1
10	BGB248-210	Tracking Wheel Hub		1
11	6292752	Ext. Retaining Ring	STW-15	6
12	BB-6202ZZ	Ball Bearing	6202 ZZ	2
13	BGB142-213	Tracking Wheel Axle		2
14	BGB142-214	Tracking Wheel		2
15	5509829	Roll Pin	6 x 36L mm	1
16	TS-1523021	Socket Head Set Screw	M6-1.0P x 8L	3
17	BGB248-217	Pulley Cover		1
18	BGB248-218	Pulley Cover Rear Plate		1
19	TS-1550031	Flat Washer	5.1 x 12 x 1T	4
20	TS-1533032	Phillips Pan Hd Machine Screw	M5-0.8P x 10L	2
21	BGB248-221	Poly V-Belt		1
22	BGB248-222	Knob		1
23	F010433	Socket Head Set Screw	M8-1.25P x 40L	1
24	BGB142-224	Housing		1
25	TS-1541031	Hex Nut	M8-1.25P	1
26	BGB142-226	Spindle Pulley		1
27	BGB248-227	Knob Screw		1
28	BGB142-228	Dust Cover		1
29	BGB248-229	Hinge		1
30	TS-2361051	Lock Washer	M5	12
31	TS-2245102	Socket Head Button Screw	M5-0.8P x 10L	9
32	BGB248-232	Ratchet		1
33	TS-1503041	Socket Head Cap Screw	M6-1.0P x 16L	5
34	BGB248-234	Clip		2
35	BGB142-235	Spine Central Guard		1
36	TS-1550041	Flat Washer	6 x 12 x 1T mm	5
37	TS-1503021	Socket Head Cap Screw	M6-1.0P x 10L	3
38	TS-1503131	Socket Head Cap Screw	M6-1.0P x 60L	2
39	BGB248-239	Bearing Housing		1
40	BGB248-240	Universal Handle		2
41	BGB248-241	Table Support Arm		1
42	BGB142-242	Platen		1
43	BGB142-243	Contact Wheel Cover		1
44	6296048	Key, Double Rd Head	5 x 5 x 25L mm	1
45	BGB142-245	Contact Wheel Spindle		1
46	BGB142-246	Contact Wheel		1
47	BGB248-247	Flange Washer		1
48	TS-0561071	Hex Nut	5/8"-11UNC	1
49	TS-1550061	Flat Washer	8 x 30 x 3T mm	1
50	BGB248-250	Work Rest		1
51	TS-1492011	Hex Cap Screw	M12-1.75P x 25L	4
52	TS-2361121	Lock Washer	M12	4
53	TS-155009	Flat Washer	13.5 x 28 x 3T mm	4
54	BGB248-254	Continuous Hinge		1
55	F009887	Socket Head Button Screw	M5-0.8P x 16L	3
56	BGB142-256	Side Cover		1
57	BGB248-257	Peg		2
58	TS-1540041	Hex Nut	M6-1.0P	2
59	BGB248-259	Door Latch		1
60	BGB142-260	Abrasive Belt	1"Wx42"L 120G	1

Index No	Part No	Description	Size	Qty
61	BGB248-261	Knob		1
62	F010391	Socket Head Set Screw	M5 x 0.8P x 5L	1
63	BGB248-263	Hub Supporting Shaft		1
64	BGB248-264	Rod		1
65	TS-1532052	Phillips Pan Hd Machine Screw	M4 x 0.7P x 16L	1
66	BGB248-266	Tension Spring		1
67	TS-1540021	Hex Nut	M4-0.7P	1
68	BGB248-268	Tension Wheel Arm		1
69	TS-1550041	Flat Washer	6.4 x 16 x 1.6T mm	4
70	TS-1541021	Hex Nut, Nylon Lock	M6-1.0P	2
71	BGB248-271	Spring Tension Adj. Rod		1
72	TS-134608	Phillips Flat Hd Machine Screw	1/4"-20UNC x 1-1/4"L	1
73	F012091	Roll Pin	3 x 10L mm	1
74	BGB248-274	Rivet		1
75	BGB248-275	Pawl		1
76	F012092	Roll Pin	3 x 18L mm	1
77	TS-0570011	Hex Nut	1/4"-20UNC	1
78	BGB248-278	Oilite Washer		1
79	BGB248-279	Compression Spring		1
80	BGB248-280	Tension Wheel Hub		1
81	TS-1550071	Flat Washer	10.2 x 30 x 3T mm	1
82	TS-0640091	Hex Nut, Nylon Lock	3/8"-16UNC	1
83	BB-6002ZZ	Ball Bearing	6002 ZZ	4
	LM000251	Warning Label (not shown)	2-1/2" x 5-1/4"	1
	LM000252	Belt Tracking Label (not shown)		1
	LM000253	Belt Tension Label (not shown)		1
	LM000254	Control Panel Label (not shown)		1
	LM000255	ID Label, BGB-142 (not shown)		1
	LM000256	Motor Label, BGB-142 (not shown)		1

12.4.1 Belt and Housing Assmly – Exploded View – Models BGB-248/260-1/260-3



12.4.2 Belt and Housing Assembly – Parts List – Model BGB-248

Index No	Part No	Description	Size	Qty
1	BGB248-201	Compression Spring		1
2	TS-1502031	Socket Head Cap Screw	M5 x 0.8P x 12L	2
3	BGB248-203	Supporting Plate		1
4	TS-1541031	Hex Nut, Nylon Lock	M8 x 1.25P	1
5	TS-1550061	Flat Washer	8.5 x 19 x 2T mm	2
6	BGB248-206	Fixed Bracket		1
7	TS-2361061	Lock Washer	M6	12
8	TS-1503061	Socket Head Cap Screw	M6 x 0.8P x 25L	7
9	BGB248-209	Pivoting Shaft		1
10	BGB248-210	Tracking Wheel Hub		1
11	6292752	Ext. Retaining Ring	STW-15	6
12	BB-6202ZZ	Ball Bearing	6202 ZZ	6
13	BGB248-213	Tracking Wheel Axle		1
14	BGB248-214	Tracking Wheel		2
15	5509829	Roll Pin	6 x 36L mm	1
16	TS-1523021	Socket Head Set Screw	M6 x 1.0P x 8L	3
17	BGB248-217	Pulley Cover		1
18	BGB248-218	Pulley Cover Rear Plate		1
19	TS-1550031	Flat Washer	5.1 x 12 x 1T mm	4
20	TS-1533032	Phillips Pan Hd Machine Screw	M5 x 0.8P x 10L	2
21	BGB248-221	Poly V-Belt		1
22	BGB248-222	Knob		1
23	F010433	Socket Head Set Screw	M8 x 1.25P x 40L	1
24	BGB248-224	Housing		1
25	TS-1541031	Hex Nut	M8 x 1.25P	1
26	BGB248-226	Spindle Pulley		1
27	BGB248-227	Knob Screw		1
28	BGB248-228	Dust Cover		1
29	BGB248-229	Hinge		1
30	TS-2361051	Lock Washer	M5	12
31	TS-2245102	Socket Head Button Screw	M5 x 0.8P x 10L	9
32	BGB248-232	Ratchet		1
33	TS-1503041	Socket Head Cap Screw	M6 x 1.0P x 16L	5
34	BGB248-234	Clip		2
35	BGB248-235	Spine Central Guard		1
36	TS-1550041	Flat Washer	6 x 12 x 1T mm	5
37	TS-1503021	Socket Head Cap Screw	M6 x 1.0P x 10L	3
38	TS-1503131	Socket Head Cap Screw	M6 x 1.0P x 60L	2
39	BGB248-239	Bearing Housing		1
40	BGB248-240	Universal Handle		2
41	BGB248-241	Table Support Arm		1
42	BGB248-242	Platen		1
43	BGB248-243	Contact Wheel Cover		1
44	6296048	Key, Double Rd Head	5 x 5 x 25L mm	1
45	BGB248-245	Contact Wheel Spindle		1
46	BGB248-246	Contact Wheel		1
47	BGB248-247	Flange Washer		1
48	TS-0561071	Hex Nut	5/8"-11UNC	1
49	TS-1550061	Flat Washer	8 x 30 x 3T mm	1
50	BGB248-250	Work Rest		1
51	TS-1492011	Hex Cap Screw	M12 x 1.75P x 25L	4
52	TS-2361121	Lock Washer	M12	4
53	TS-155009	Flat Washer	13.5 x 28 x 3T mm	4
54	BGB248-254	Continuous Hinge		1
55	TS-2246162	Socket Head Button Screw	M5 x 0.8P x 16L	3
56	BGB248-256	Side Cover		1
57	BGB248-257	Peg		2
58	TS-1540041	Hex Nut	M6 x 1.0P	2
59	BGB248-259	Door Latch		1
60	BGB248-260	Abrasive Belt	2"Wx48"L 120G	1

Index No	Part No	Description	Size	Qty
61	BGB248-261	Knob		1
62	F010391	Socket Head Set Screw	M5 x 0.8P x 5L	1
63	BGB248-263	Hub Supporting Shaft		1
64	BGB248-264	Rod		1
65	TS-1532052	Phillips Pan Hd Machine Screw	M4 x 0.7P x 16L	1
66	BGB248-266	Tension Spring		1
67	TS-1540021	Hex Nut	M4 x 0.7P	1
68	BGB248-268	Tension Wheel Arm		1
69	TS-1550041	Flat Washer	6.4 x 16 x 1.6T mm	4
70	TS-1541021	Hex Nut, Nylon Lock	M6 x 1.0P	2
71	BGB248-271	Spring Tension Adj. Rod		1
72	TS-134608	Phillips Flat Hd Machine Screw	1/4"-20UNC x 1-1/4"L	1
73	F012091	Roll Pin	3 x 10L mm	1
74	BGB248-274	Rivet		1
75	BGB248-275	Pawl		1
76	F012092	Roll Pin	3 x 18L mm	1
77	TS-0570011	Hex Nut	1/4"-20UNC	1
78	BGB248-278	Oilite Washer		1
79	BGB248-279	Compression Spring		1
80	BGB248-280	Tension Wheel Hub		1
81	TS-1550071	Flat Washer	10.2 x 30 x 3T	1
82	TS-0640091	Hex Nut, Nylon Lock	3/8"-16UNC	1
83	BGB248-283	Tension Wheel Axle		1
	LM000251	Warning Label (not shown)	2-1/2" x 5-1/4"	1
	LM000252	Belt Tracking Label (not shown)		1
	LM000253	Belt Tension Label (not shown)		1
	LM000254	Control Panel Label (not shown)		1
	LM000257	ID Label, BGB-248 (not shown)		1
	LM000258	Motor Label, BGB-248 (not shown)		1

12.4.3 Belt and Housing Assembly – Parts List – Model BGB-260-1

Index No	Part No	Description	Size	Qty
1	BGB248-201	Compression Spring		1
2	TS-1502031	Socket Head Cap Screw	M5 x 0.8P x 12L	2
3	BGB248-203	Supporting Plate		1
4	TS-1541031	Hex Nut, Nylon Lock	M8 x 1.25P	1
5	TS-1550061	Flat Washer	8.5 x 19 x 2T mm	2
6	BGB248-206	Fixed Bracket		1
7	TS-2361061	Lock Washer	M6	12
8	TS-1503061	Socket Head Cap Screw	M6 x 0.8P x 25L	7
9	BGB248-209	Pivoting Shaft		1
10	BGB248-210	Tracking Wheel Hub		1
11	6292752	Ext. Retaining Ring	STW-15	6
12	BB-6202ZZ	Ball Bearing	6202 ZZ	6
13	BGB248-213	Tracking Wheel Axle		1
14	BGB260-1-214	Tracking Wheel		2
15	5509829	Roll Pin	6 x 36L mm	1
16	TS-1523021	Socket Head Set Screw	M6 x 1.0P x 8L	3
17	BGB260-1-217	Pulley Cover		1
18	BGB248-218	Pulley Cover Rear Plate		1
19	TS-1550031	Flat Washer	5.1 x 12 x 1T mm	4
20	TS-1533032	Phillips Pan Hd Machine Screw	M5 x 0.8P x 10L	2
21	BGB260-1-221	Poly V-Belt		1
22	BGB248-222	Knob		1
23	F010433	Socket Head Set Screw	M8 x 1.25P x 40L	1
24	BGB260-1-224	Housing		1
25	TS-1541031	Hex Nut	M8 x 1.25P	1
26	BGB260-1-226	Spindle Pulley		1
27	BGB248-227	Knob Screw		1
28	BGB260-1-228	Dust Cover		1
29	BGB248-229	Hinge		1
30	TS-2361051	Lock Washer	M5	12
31	TS-2245102	Socket Head Button Screw	M5 x 0.8P x 10L	9
32	BGB248-232	Ratchet		1
33	TS-1503041	Socket Head Cap Screw	M6 x 1.0P x 16L	5
34	BGB248-234	Clip		2
35	BGB260-1-235	Spine Central Guard		1
36	TS-1550041	Flat Washer	6 x 12 x 1T mm	5
37	TS-1503021	Socket Head Cap Screw	M6 x 1.0P x 10L	3
38	TS-1503131	Socket Head Cap Screw	M6 x 1.0P x 60L	2
39	BGB248-239	Bearing Housing		1
40	BGB248-240	Universal Handle		2
41	BGB260-1-241	Table Support Arm		1
42	BGB248-242	Platen		1
43	BGB260-1-243	Contact Wheel Cover		1
44	6296048	Key, Double Rd Head	5 x 5 x 25L mm	1
45	BGB248-245	Contact Wheel Spindle		1
46	BGB260-1-246	Contact Wheel		1
47	BGB248-247	Flange Washer		1
48	TS-0561071	Hex Nut	5/8"-11UNC	1
49	TS-1550061	Flat Washer	8 x 30 x 3T mm	1
50	BGB248-250	Work Rest		1
51	TS-1492011	Hex Cap Screw	M12 x 1.75P x 25L	4
52	TS-2361121	Lock Washer	M12	4
53	TS-155009	Flat Washer	13.5 x 28 x 3T mm	4
54	BGB248-254	Continuous Hinge		1
55	TS-2246162	Socket Head Button Screw	M5 x 0.8P x 16L	3
56	BGB260-1-256	Side Cover		1
57	BGB248-257	Peg		2
58	TS-1540041	Hex Nut	M6 x 1.0P	2
59	BGB248-259	Door Latch		1
60	BGB260-1-260	Abrasive Belt	2"x60" 120G	1

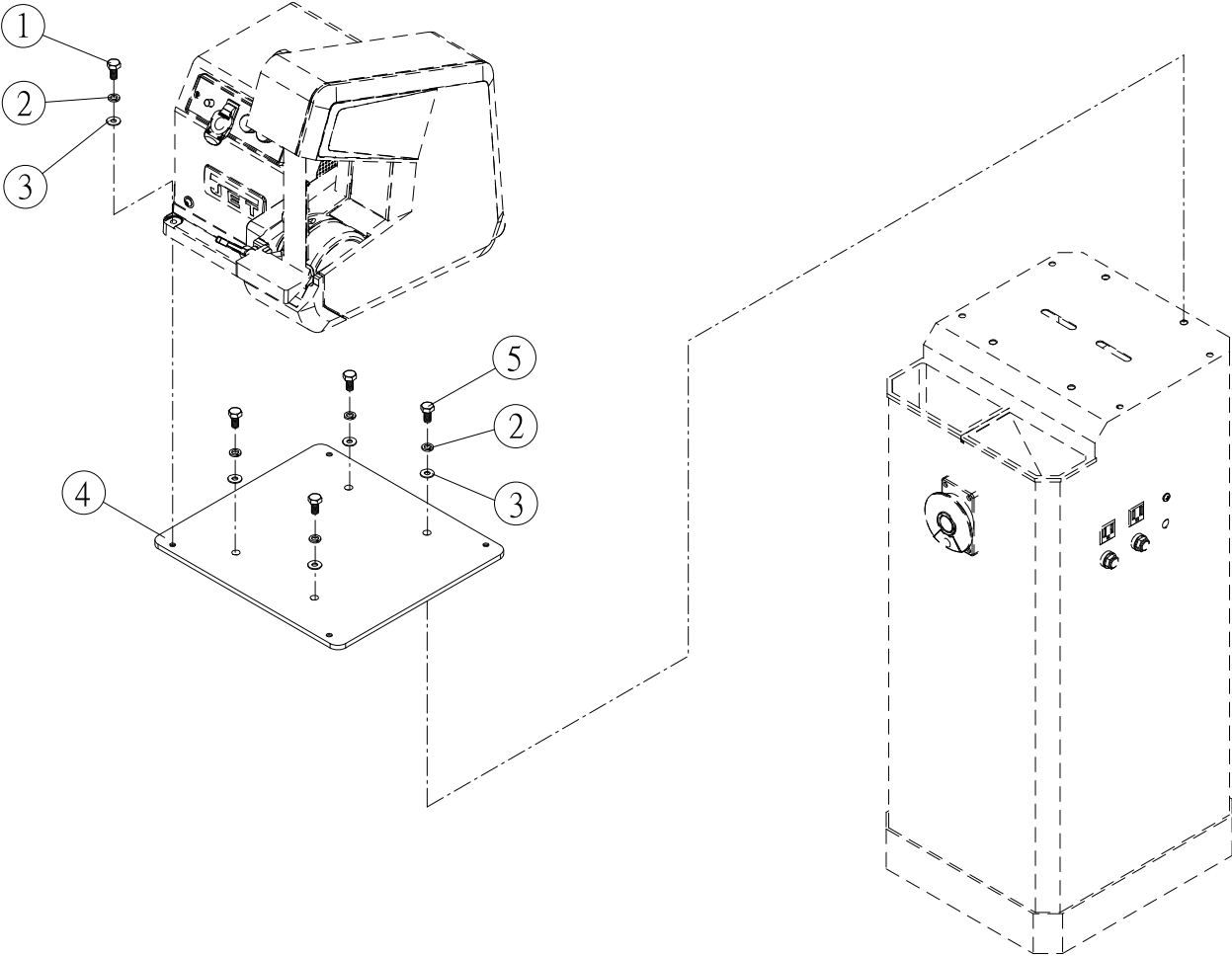
Index No	Part No	Description	Size	Qty
61	BGB248-261	Knob		1
62	F010391	Socket Head Set Screw	M5 x 0.8P x 5L	1
63	BGB248-263	Hub Supporting Shaft		1
64	BGB248-264	Rod		1
65	TS-1532052	Phillips Pan Hd Machine Screw	M4 x 0.7P x 16L	1
66	BGB248-266	Tension Spring		1
67	TS-1540021	Hex Nut	M4 x 0.7P	1
68	BGB248-268	Tension Wheel Arm		1
69	TS-1550041	Flat Washer	6.4 x 16 x 1.6T mm	4
70	TS-1541021	Hex Nut, Nylon Lock	M6 x 1.0P	2
71	BGB248-271	Spring Tension Adj. Rod		1
72	TS-134608	Phillips Flat Hd Machine Screw	1/4"-20UNC x 1-1/4"L	1
73	F012091	Roll Pin	3 x 10L mm	1
74	BGB248-274	Rivet		1
75	BGB248-275	Pawl		1
76	F012092	Roll Pin	3 x 18L mm	1
77	TS-0570011	Hex Nut	1/4"-20UNC	1
78	BGB248-278	Oilite Washer		1
79	BGB248-279	Compression Spring		1
80	BGB248-280	Tension Wheel Hub		1
81	TS-1550071	Flat Washer	10.2 x 30 x 3T mm	1
82	TS-0640091	Hex Nut, Nylon Lock	3/8"-16UNC	1
83	BGB248-283	Tension Wheel Axle		1
	LM000251	Warning Label (not shown)	2-1/2" x 5-1/4"	1
	LM000252	Belt Tracking Label (not shown)		1
	LM000253	Belt Tension Label (not shown)		1
	LM000254	Control Panel Label (not shown)		1
	LM000259	ID Label, BGB-260-1 (not shown)		1
	LM000260	Motor Label, BGB-260-1 (not shown)		1

12.4.4 Belt and Housing Assembly – Parts List – Model BGB-260-3

Index No	Part No	Description	Size	Qty
1	BGB248-201	Compression Spring		1
2	TS-1502031	Socket Head Cap Screw	M5 x 0.8P x 12L	2
3	BGB248-203	Supporting Plate		1
4	TS-1541031	Hex Nut, Nylon Lock	M8 x 1.25P	1
5	TS-1550061	Flat Washer	8.5 x 19 x 2T mm	2
6	BGB248-206	Fixed Bracket		1
7	TS-2361061	Lock Washer	M6	12
8	TS-1503061	Socket Head Cap Screw	M6 x 0.8P x 25L	7
9	BGB248-209	Pivoting Shaft		1
10	BGB248-210	Tracking Wheel Hub		1
11	6292752	Ext. Retaining Ring	STW-15	6
12	BB-6202ZZ	Ball Bearing	6202 ZZ	6
13	BGB248-213	Tracking Wheel Axle		1
14	BGB260-1-214	Tracking Wheel		2
15	5509829	Roll Pin	6 x 36L mm	1
16	TS-1523021	Socket Head Set Screw	M6 x 1.0P x 8L	3
17	BGB260-1-217	Pulley Cover		1
18	BGB248-218	Pulley Cover Rear Plate		1
19	TS-1550031	Flat Washer	5.1 x 12 x 1T mm	4
20	TS-1533032	Phillips Pan Hd Machine Screw	M5 x 0.8P x 10L	2
21	BGB260-1-221	Poly V-Belt		1
22	BGB248-222	Knob		1
23	F010433	Socket Head Set Screw	M8 x 1.25P x 40L	1
24	BGB260-1-224	Housing		1
25	TS-1541031	Hex Nut	M8 x 1.25P	1
26	BGB260-1-226	Spindle Pulley		1
27	BGB248-227	Knob Screw		1
28	BGB260-1-228	Dust Cover		1
29	BGB248-229	Hinge		1
30	TS-2361051	Lock Washer	M5	12
31	TS-2245102	Socket Head Button Screw	M5 x 0.8P x 10L	9
32	BGB248-232	Ratchet		1
33	TS-1503041	Socket Head Cap Screw	M6 x 1.0P x 16L	5
34	BGB248-234	Clip		2
35	BGB260-1-235	Spine Central Guard		1
36	TS-1550041	Flat Washer	6 x 12 x 1T mm	5
37	TS-1503021	Socket Head Cap Screw	M6 x 1.0P x 10L	3
38	TS-1503131	Socket Head Cap Screw	M6 x 1.0P x 60L	2
39	BGB248-239	Bearing Housing		1
40	BGB248-240	Universal Handle		2
41	BGB260-1-241	Table Support Arm		1
42	BGB248-242	Platen		1
43	BGB260-1-243	Contact Wheel Cover		1
44	6296048	Key, Double Rd Head	5 x 5 x 25L mm	1
45	BGB248-245	Contact Wheel Spindle		1
46	BGB260-1-246	Contact Wheel		1
47	BGB248-247	Flange Washer		1
48	TS-0561071	Hex Nut	5/8"-11UNC	1
49	TS-1550061	Flat Washer	8 x 30 x 3T mm	1
50	BGB248-250	Work Rest		1
51	TS-1492011	Hex Cap Screw	M12 x 1.75P x 25L	4
52	TS-2361121	Lock Washer	M12	4
53	TS-155009	Flat Washer	13.5 x 28 x 3T mm	4
54	BGB248-254	Continuous Hinge		1
55	TS-2246162	Socket Head Button Screw	M5 x 0.8P x 16L	3
56	BGB260-1-256	Side Cover		1
57	BGB248-257	Peg		2
58	TS-1540041	Hex Nut	M6 x 1.0P	2
59	BGB248-259	Door Latch		1
60	BGB260-1-260	Abrasive Belt	2"x60" 120G	1

Index No	Part No	Description	Size	Qty
61	BGB248-261	Knob		1
62	F010391	Socket Head Set Screw	M5 x 0.8P x 5L	1
63	BGB248-263	Hub Supporting Shaft		1
64	BGB248-264	Rod		1
65	TS-1532052	Phillips Pan Hd Machine Screw	M4 x 0.7P x 16L	1
66	BGB248-266	Tension Spring		1
67	TS-1540021	Hex Nut	M4 x 0.7P	1
68	BGB248-268	Tension Wheel Arm		1
69	TS-1550041	Flat Washer	6.4 x 16 x 1.6T mm	4
70	TS-1541021	Hex Nut, Nylon Lock	M6 x 1.0P	2
71	BGB248-271	Spring Tension Adj. Rod		1
72	TS-134608	Phillips Flat Hd Machine Screw	1/4"-20UNC x 1-1/4"L	1
73	F012091	Roll Pin	3 x 10L mm	1
74	BGB248-274	Rivet		1
75	BGB248-275	Paw		1
76	F012092	Roll Pin	3 x 18L mm	1
77	TS-0570011	Hex Nut	1/4"-20UNC	1
78	BGB248-278	Oilite Washer		1
79	BGB248-279	Compression Spring		1
80	BGB248-280	Tension Wheel Hub		1
81	TS-1550071	Flat Washer	10.2 x 30 x 3T mm	1
82	TS-0640091	Hex Nut, Nylon Lock	3/8"-16UNC	1
83	BGB248-283	Tension Wheel Axle		1
	LM000251	Warning Label (not shown)	2-1/2" x 5-1/4"	1
	LM000252	Belt Tracking Label (not shown)		1
	LM000253	Belt Tension Label (not shown)		1
	LM000261	Control Panel Label (not shown)		1
	LM000262	ID Label, BGB-260-3 (not shown)		1
	LM000263	Motor Label, BGB-260-3 (not shown)		1

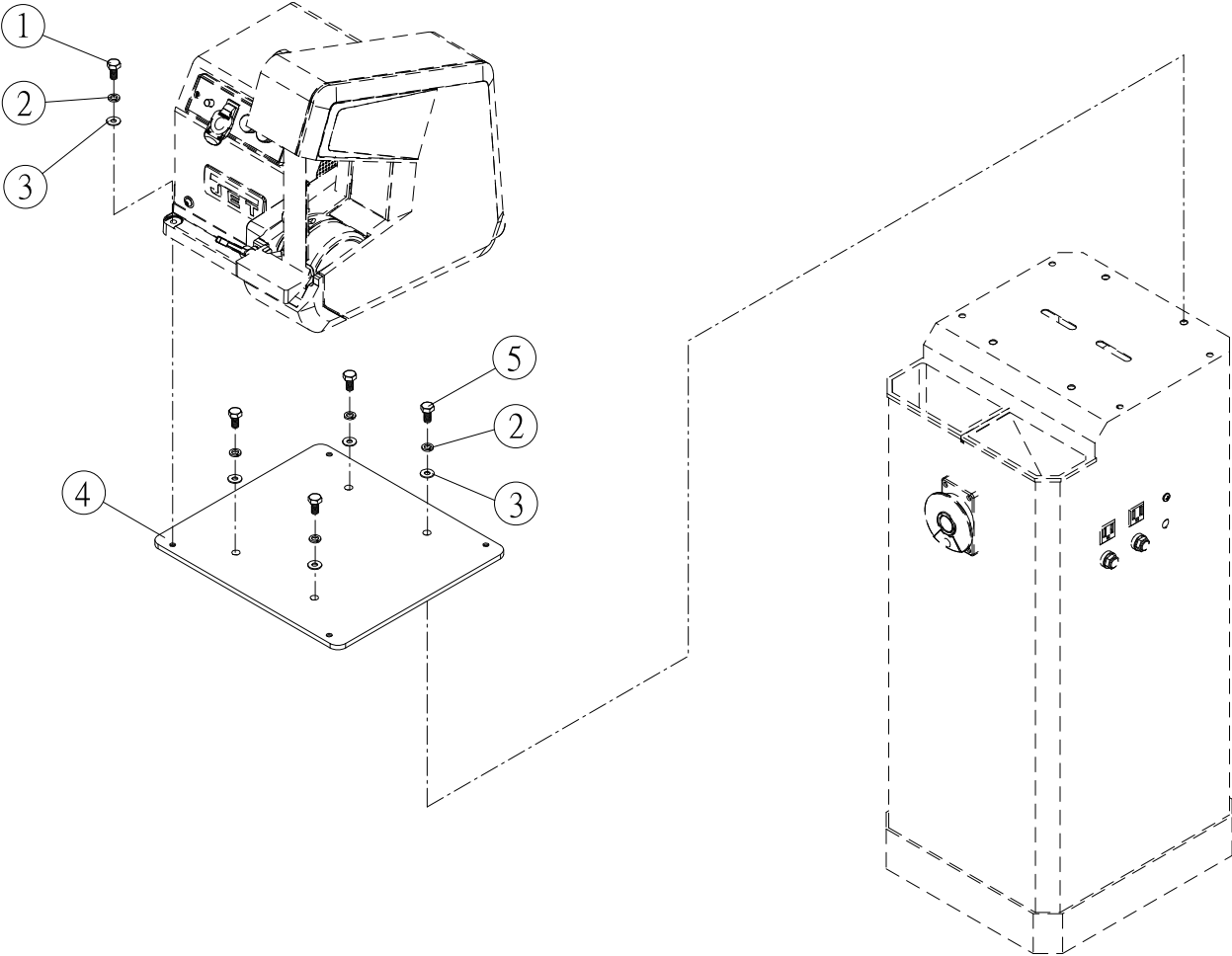
12.5.1 Adaptor Plate (OPTIONAL) – Exploded View – Model BGB-142/248



12.5.2 Adaptor Plate (OPTIONAL) – Parts List – Model BGB-142/248

Index No	Part No	Description	Size	Qty
	414832	Adaptor Plate Kit, BGB-142/248 (#1 thru 5)		
1	TS-149105	Hex Cap Screw	M10 x 1.5P x 35L	4
2	TS-2361101	Lock Washer	M10	8
3	TS-1550071	Flat Washer	10 x 20 x 1.5T	8
4	BGB248-304	Adaptor Plate		1
5	TS-1491021	Hex Cap Screw	M10 x 1.5P x 20L	4

12.6.1 Adaptor Plate (OPTIONAL) – Exploded View – Model BGB-260-1/260-3

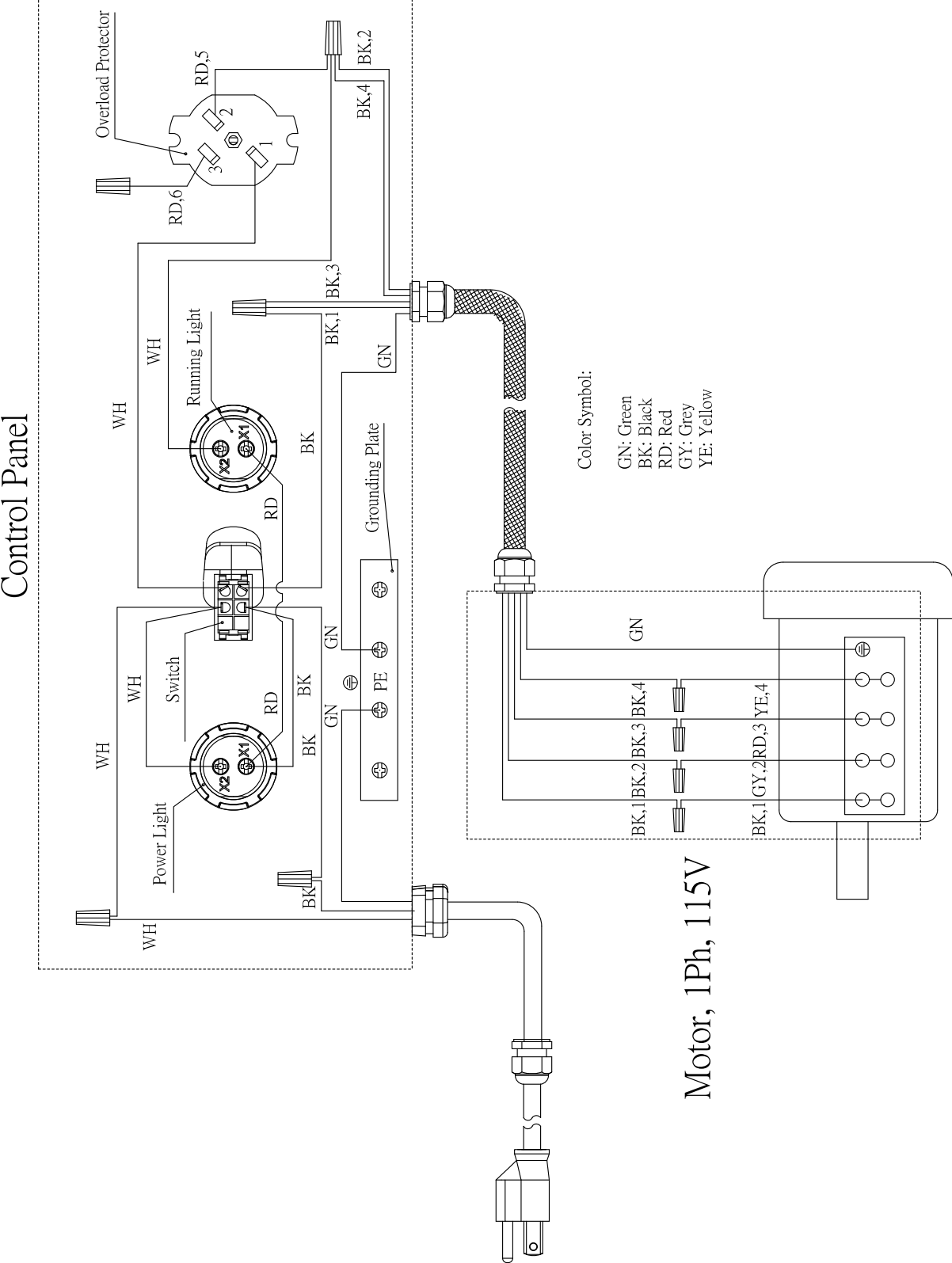


12.6.2 Adaptor Plate (OPTIONAL) – Parts List – Model BGB-260-1/260-3

Index No	Part No	Description	Size	Qty
	414833	Adaptor Plate Kit, BGB-260-1/260-3 (#1 thru 5)		
1	TS-149105	Hex Cap Screw	M10 x 1.5P x 35L	4
2	TS-2361101	Lock Washer	M10	8
3	TS-1550071	Flat Washer	10 x 20 x 1.5T	8
4	BGB260-1-304	Adaptor Plate		1
5	TS-1491021	Hex Cap Screw	M10 x 1.5P x 20L	4

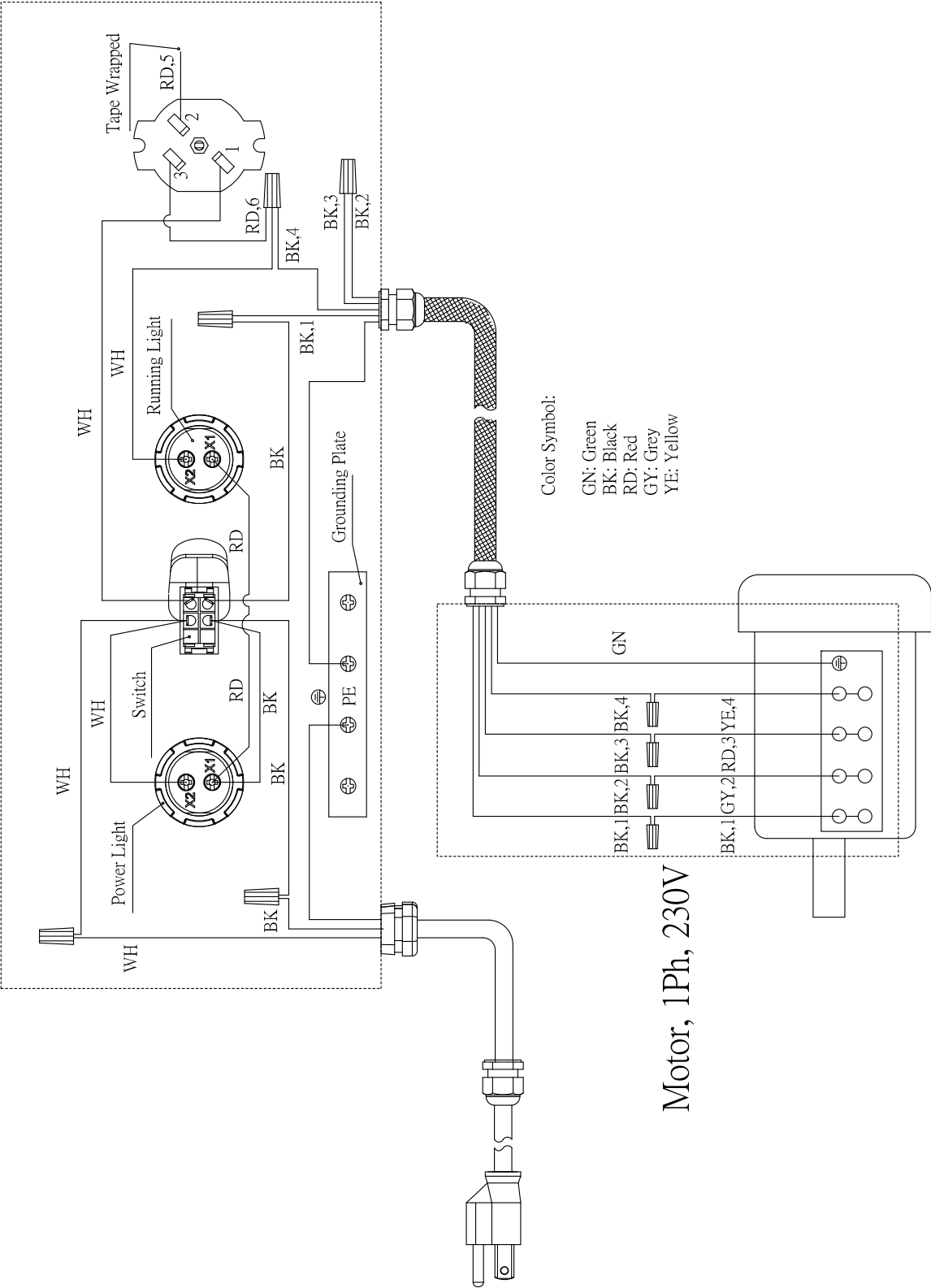
13.0 Electrical Connections

13.1 Wiring diagram – 115V (Models BGB-141/248/260-1)

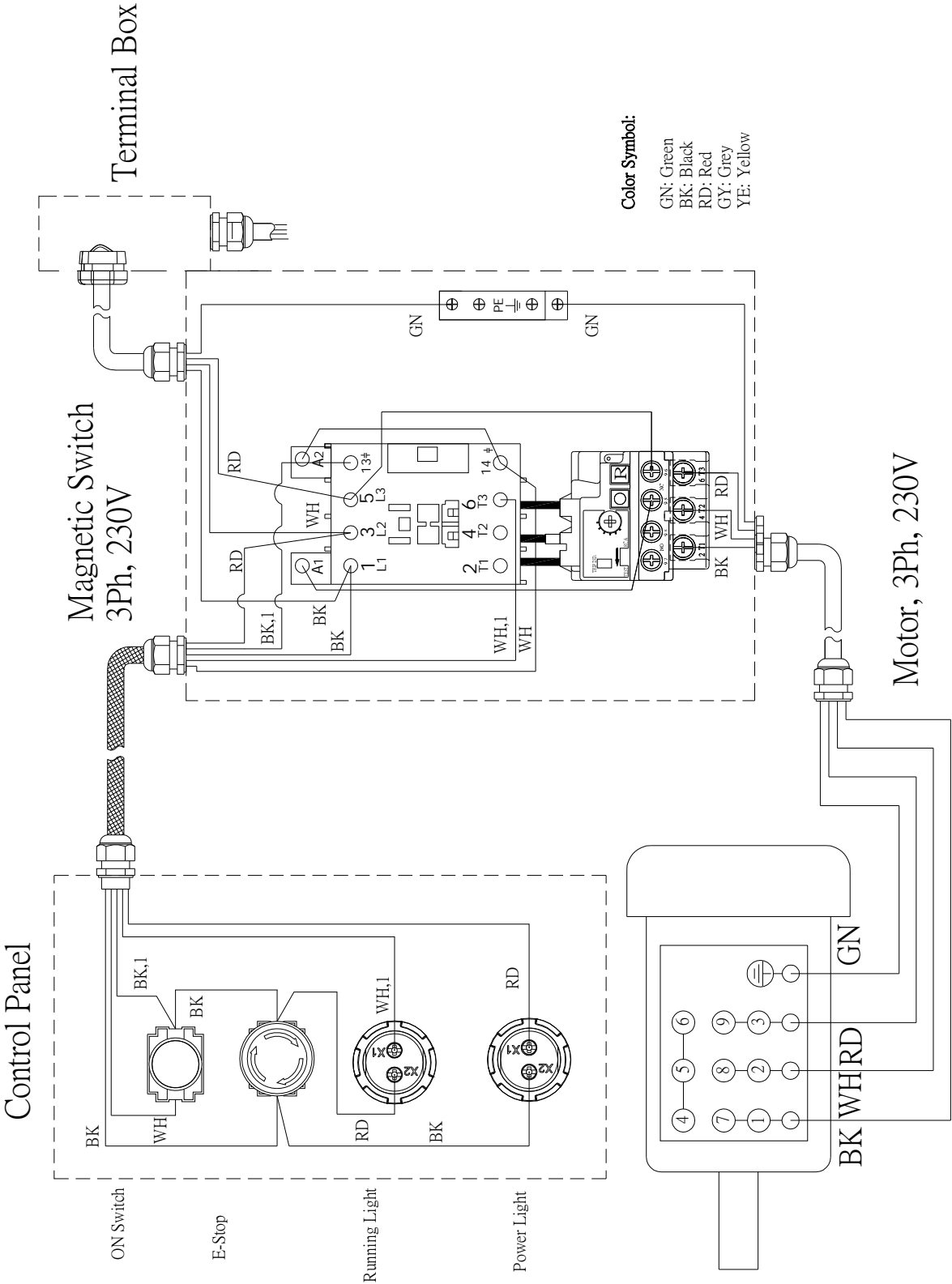


13.2 Wiring diagram – 1PH, 230V (Models BGB-141/248/260-1)

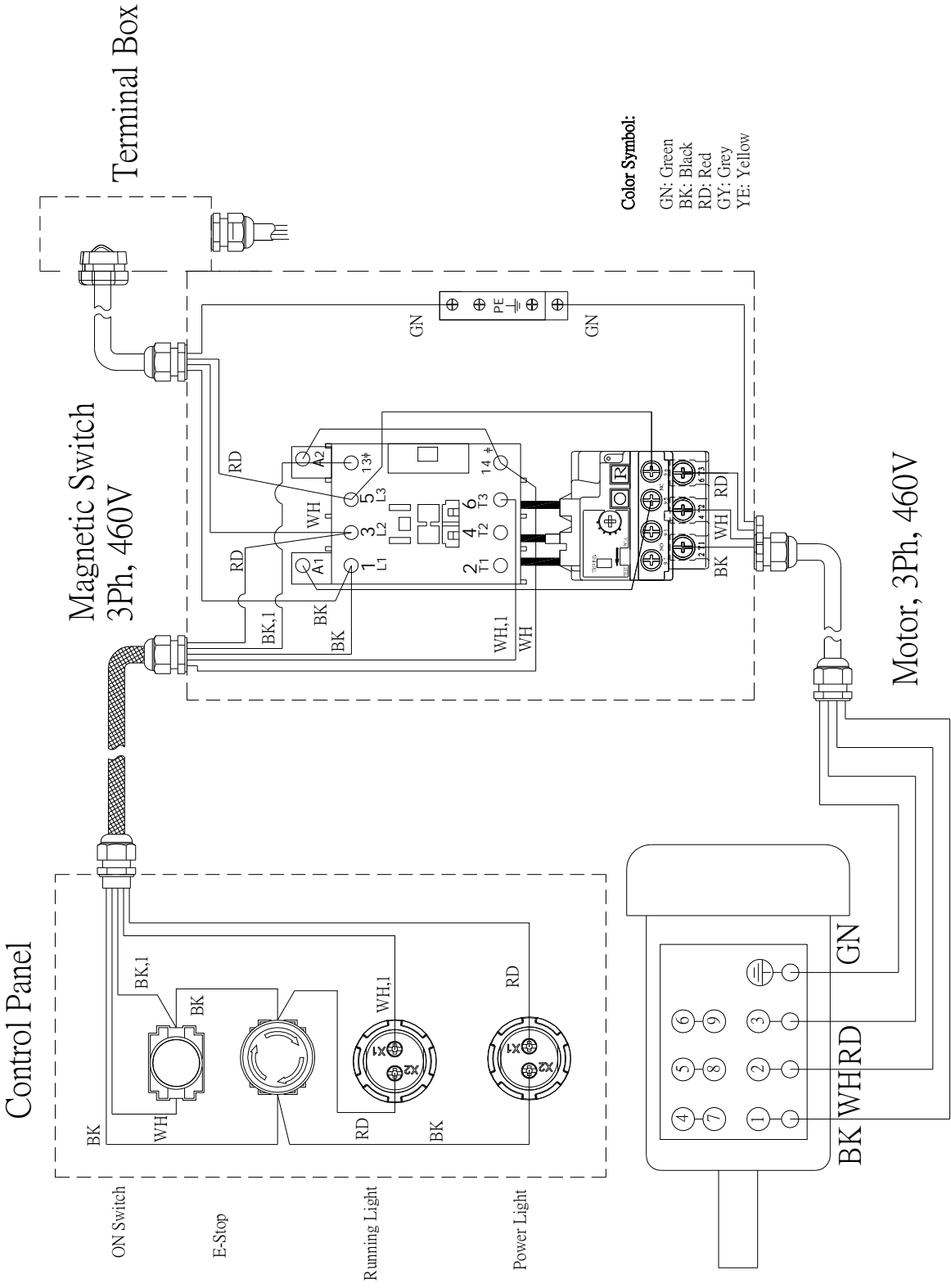
Control Panel



13.3 Wiring diagram – 3PH, 230V (Model BGB-260-3)



13.4 Wiring diagram – 3PH, 460V (Model BGB-260-3)



14.0 Warranty and service

JET warrants every product it sells against manufacturers' defects. If one of our tools needs service or repair, please contact Technical Service by calling 1-800-274-6846, 8AM to 5PM CST, Monday through Friday.

Warranty Period

The general warranty lasts for the time period specified in the literature included with your product or on the official JET branded website.

- JET products carry a limited warranty which varies in duration based upon the product. (See chart below)
- Accessories carry a limited warranty of one year from the date of receipt.
- Consumable items are defined as expendable parts or accessories expected to become inoperable within a reasonable amount of use and are covered by a 90 day limited warranty against manufacturer's defects.

Who is Covered

This warranty covers only the initial purchaser of the product from the date of delivery.

What is Covered

This warranty covers any defects in workmanship or materials subject to the limitations stated below. This warranty does not cover failures due directly or indirectly to misuse, abuse, negligence or accidents, normal wear-and-tear, improper repair, alterations or lack of maintenance. JET woodworking machinery is designed to be used with Wood. Use of these machines in the processing of metal, plastics, or other materials outside recommended guidelines may void the warranty. The exceptions are acrylics and other natural items that are made specifically for wood turning.

Warranty Limitations

Woodworking products with a Five Year Warranty that are used for commercial or industrial purposes default to a Two Year Warranty. Please contact Technical Service at 1-800-274-6846 for further clarification.

How to Get Technical Support

Please contact Technical Service by calling 1-800-274-6846. **Please note that you will be asked to provide proof of initial purchase when calling.** If a product requires further inspection, the Technical Service representative will explain and assist with any additional action needed. JET has Authorized Service Centers located throughout the United States. For the name of an Authorized Service Center in your area call 1-800-274-6846 or use the Service Center Locator on the JET website.

More Information

JET is constantly adding new products. For complete, up-to-date product information, check with your local distributor or visit the JET website.

How State Law Applies

This warranty gives you specific legal rights, subject to applicable state law.

Limitations on This Warranty

JET LIMITS ALL IMPLIED WARRANTIES TO THE PERIOD OF THE LIMITED WARRANTY FOR EACH PRODUCT. EXCEPT AS STATED HEREIN, ANY IMPLIED WARRANTIES OF MERCHANTABILITY AND FITNESS FOR A PARTICULAR PURPOSE ARE EXCLUDED. SOME STATES DO NOT ALLOW LIMITATIONS ON HOW LONG AN IMPLIED WARRANTY LASTS, SO THE ABOVE LIMITATION MAY NOT APPLY TO YOU.

JET SHALL IN NO EVENT BE LIABLE FOR DEATH, INJURIES TO PERSONS OR PROPERTY, OR FOR INCIDENTAL, CONTINGENT, SPECIAL, OR CONSEQUENTIAL DAMAGES ARISING FROM THE USE OF OUR PRODUCTS. SOME STATES DO NOT ALLOW THE EXCLUSION OR LIMITATION OF INCIDENTAL OR CONSEQUENTIAL DAMAGES, SO THE ABOVE LIMITATION OR EXCLUSION MAY NOT APPLY TO YOU.

JET sells through distributors only. The specifications listed in JET printed materials and on official JET website are given as general information and are not binding. JET reserves the right to effect at any time, without prior notice, those alterations to parts, fittings, and accessory equipment which they may deem necessary for any reason whatsoever. JET® branded products are not sold in Canada by JPW Industries, Inc.

Product Listing with Warranty Period

90 Days – Parts; Consumable items
1 Year – Motors; Machine Accessories
2 Year – Metalworking Machinery; Electric Hoists, Electric Hoist Accessories; Woodworking Machinery used for industrial or commercial purposes
5 Year – Woodworking Machinery
Limited Lifetime – JET Parallel clamps; VOLT Series Electric Hoists; Manual Hoists; Manual Hoist Accessories; Shop Tools; Warehouse & Dock products; Hand Tools; Air Tools

NOTE: JET is a division of JPW Industries, Inc. References in this document to JET also apply to JPW Industries, Inc., or any of its successors in interest to the JET brand.



427 New Sanford Road
LaVergne, Tennessee 37086
Phone: 800-274-6848
www.jettools.com